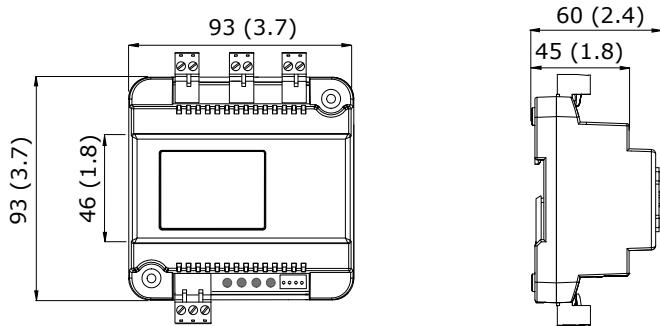
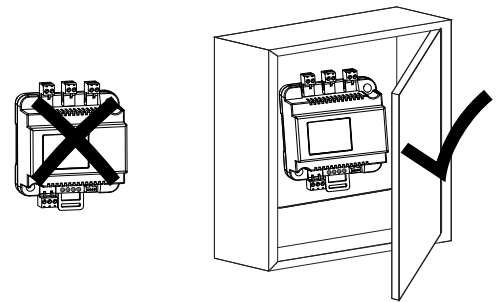


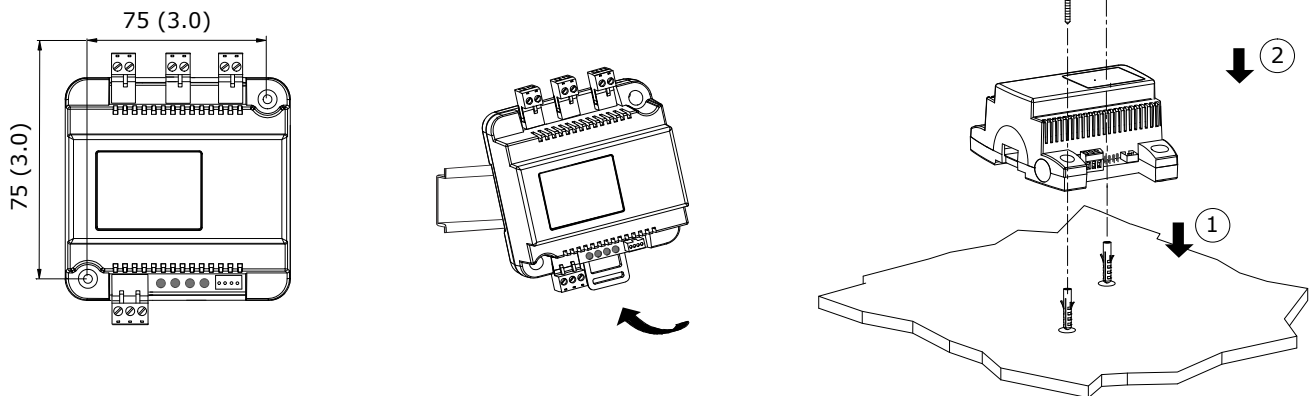
A mm (inch)



B

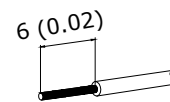
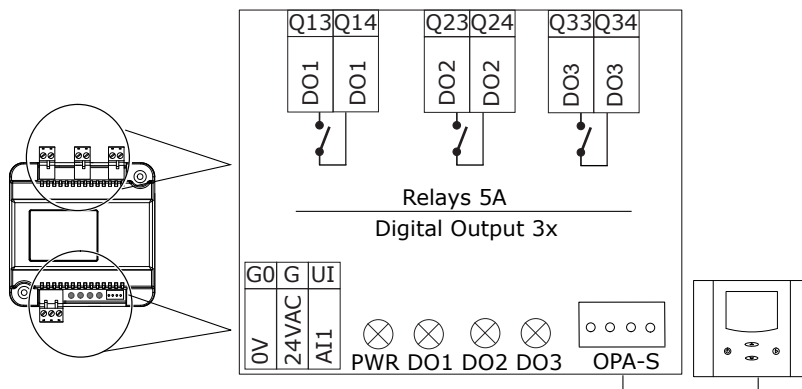
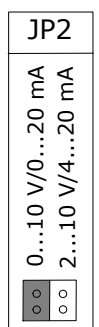
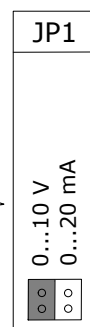


C



D

JP3	0	1	2	3
SINGLE (DO1, DO2, DO3)	0,0,0	I,0,0	0,I,0	0,0,I
COMBINED (DO1, DO2, DO3)	0,0,0	I,0,0	I,I,0	I,I,I



G: AC 24 V 50-60 Hz, DC +24 V \pm 10%
 G0: AC 0 V, DC -24 V
 U... DC 0(2)...10 V
 I... DC 0(4)...20 mA

