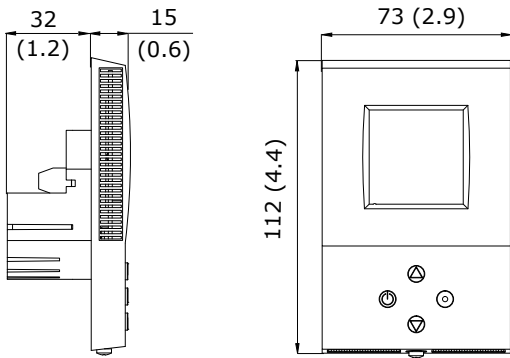
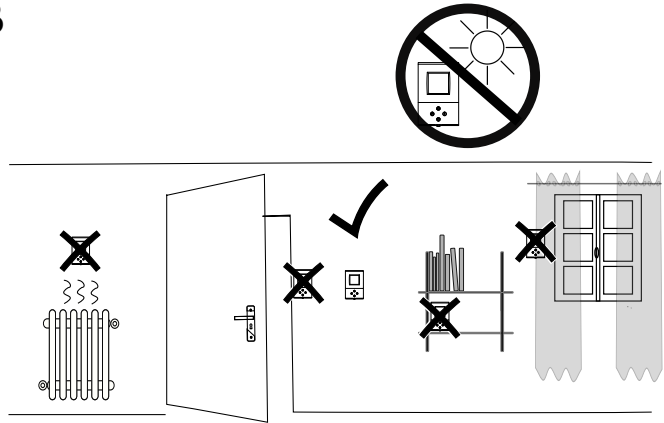


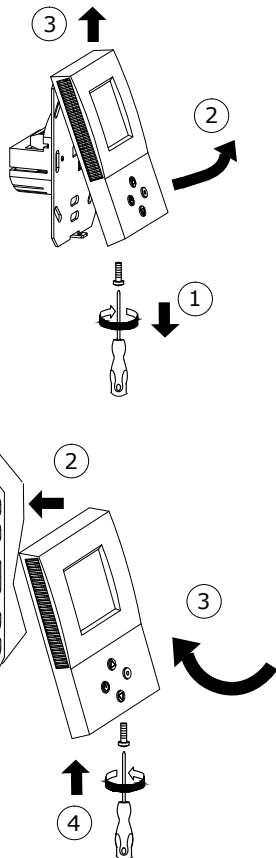
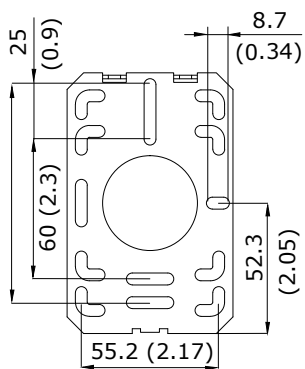
A mm (inch)



B

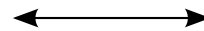


C



D

OPU2-2T-VC
OPU2-2TH-VC



TCX2

