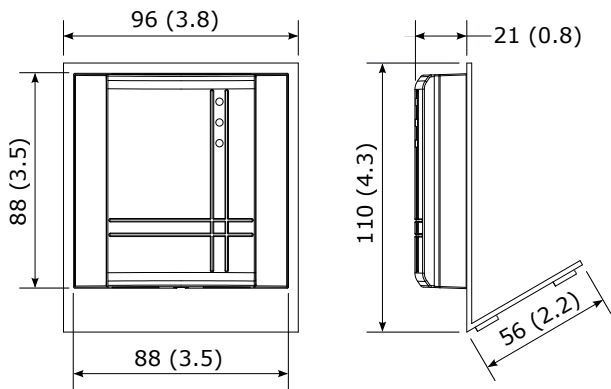
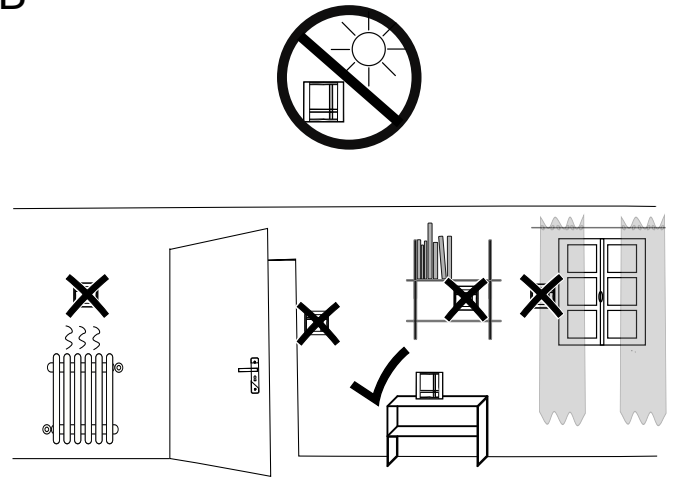


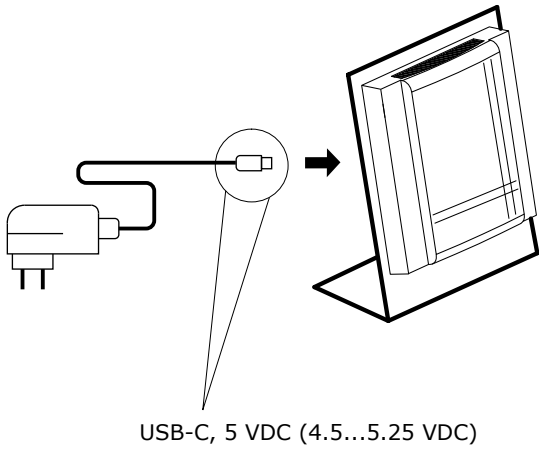
## A mm (inch)



## B



## C



## D

