

### A mm (inch)

98 (3.9)

47 (1.9)

90 (3.5)

Ø6mm

### B

### C

54 (2.1)

74 (2.9)

1. Insert cover into housing.
2. Tighten screw.
3. Tighten screw.
4. Tighten screw.

### D

AO Mode	
JP1	
3	○
2	○
1	○
VDC	
3	○
2	○
1	○
mA	

AO Range	
JP3	
3	○
2	○
1	○
0...10 V	
3	○
2	○
1	○
2...10 V	
3	○
2	○
1	○
4...20 mA	

LED-status blinking interval

sec.	sec.	sec.	sec.	sec.	sec.
●	○	○	○	○	●
●	●	●	●	●	●
					☒

JP4 = OPxx-VC Line Termination (LT)

120Ω	☒
○ ○ ○	○ ○ ○

6 (0.02)

DO: NO, DO1, NC

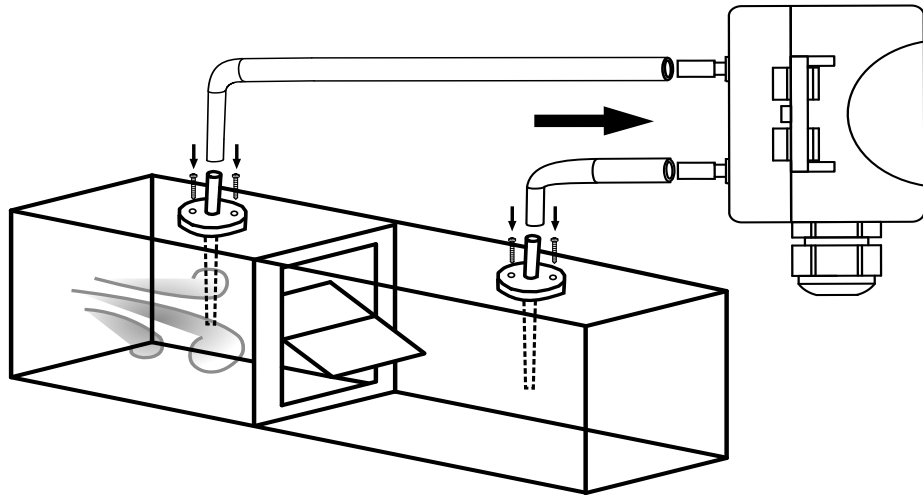
Power AO: V+, GND, AO1

OPxx-VC: OP1, OP2, OP3, OP4

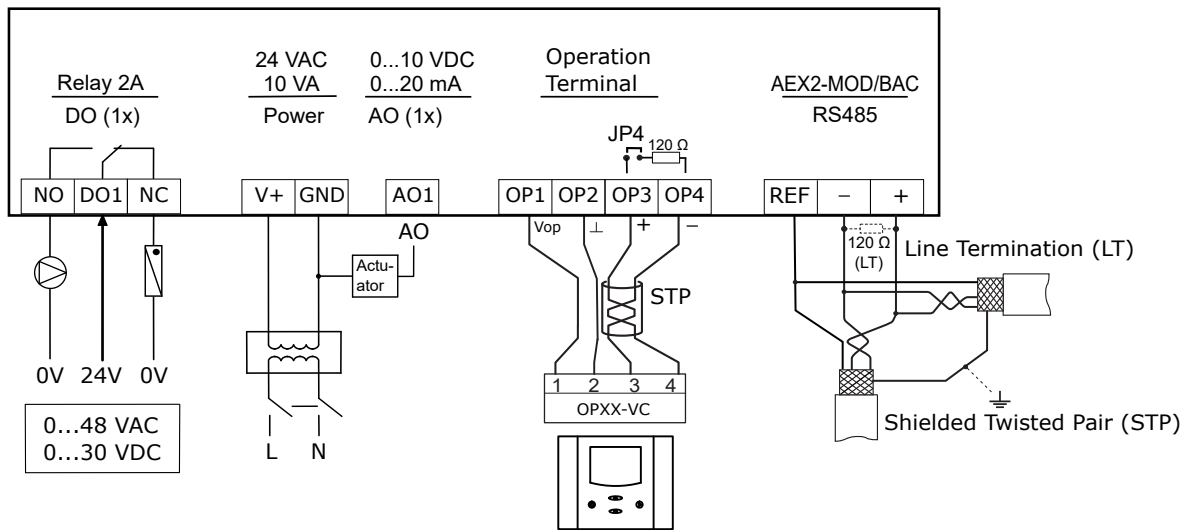
RS485: REF, -, +

AES4, AEX2, JP1, JP3, JP4, AEC-PM2

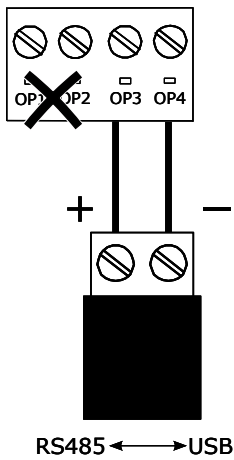
**i**



**E** 24V AC/DC



**F**



**G** Master-Slave (max. 8x SCC2, 1x OPxx-VC)

