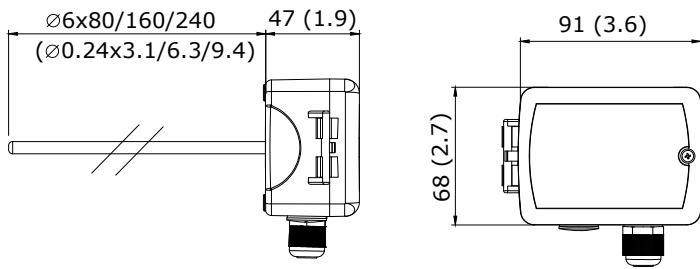
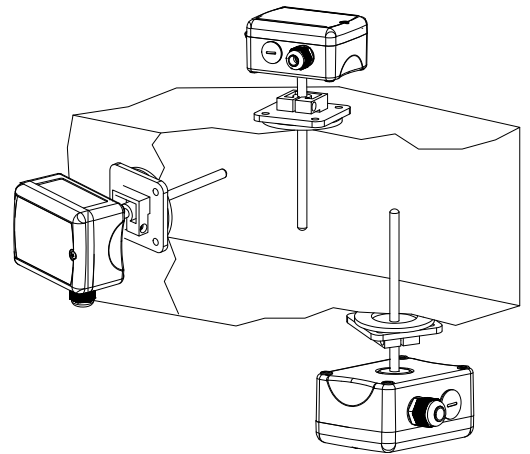


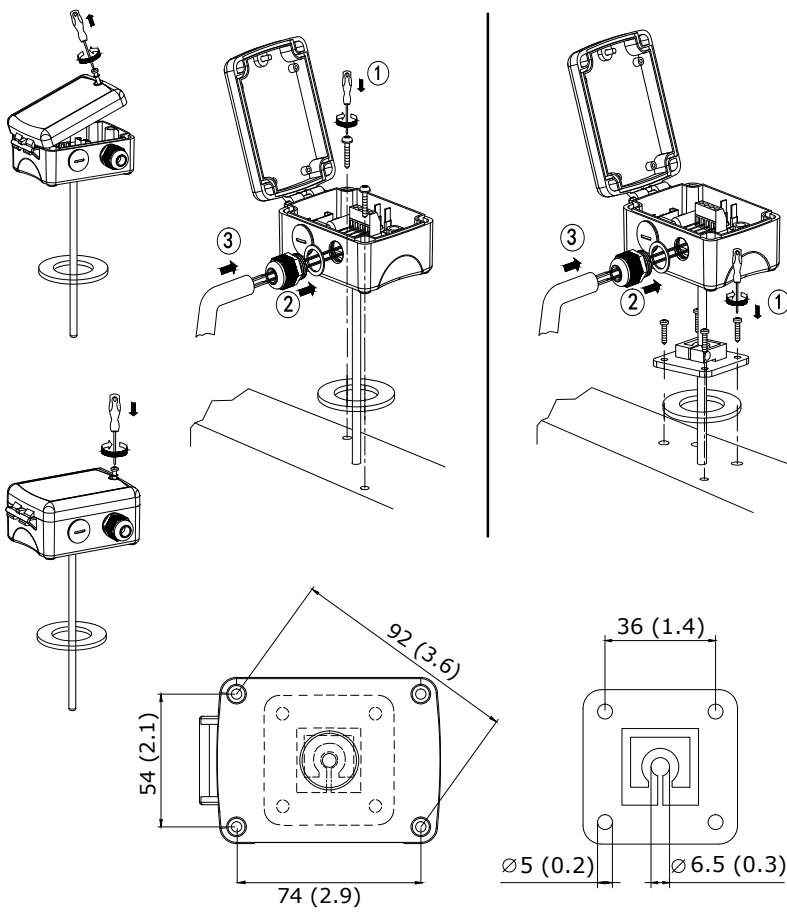
### A mm (inch)



### B

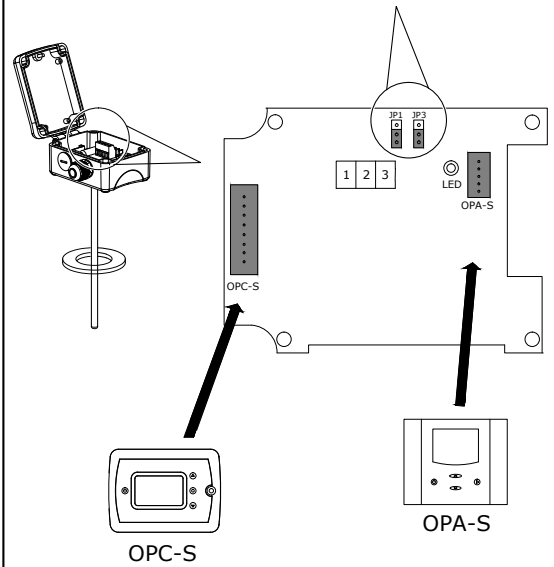


### C



### D

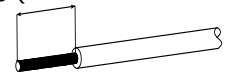
JP1		JP3	
3	U...	3	U... 0...10 V
2	I...	2	I... 0...20 mA
1		1	
3	I...	3	U... 2...10 V
2		2	I... 4...20 mA
1		1	



OPC-S

OPA-S

6 (0.02)

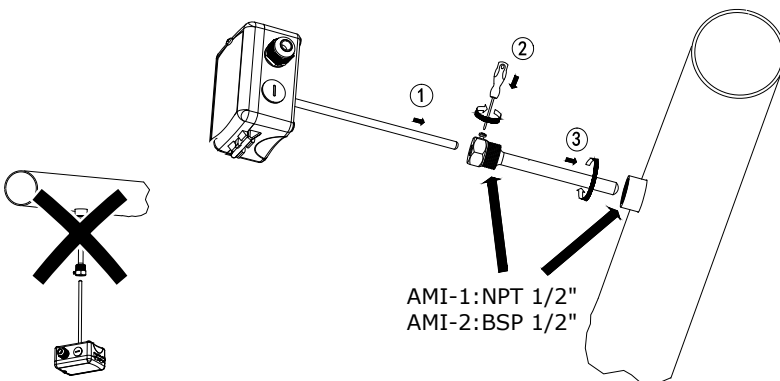


G: AC 24 V 50-60 Hz, DC +24 V ± 10%

G0: AC 0 V, DC -24 V

U... DC 0(2)...10 V

I... DC 0(4)...20 mA



AMI-1: NPT 1/2"  
AMI-2: BSP 1/2"



[www.vectorcontrols.com](http://www.vectorcontrols.com)

