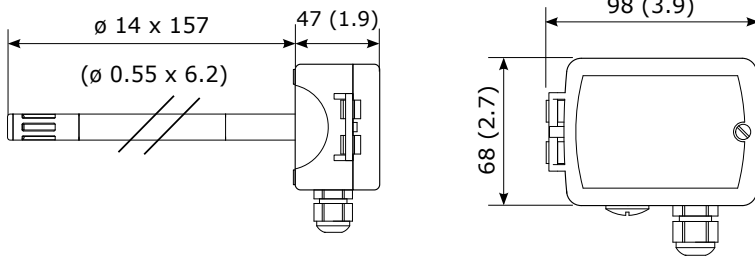
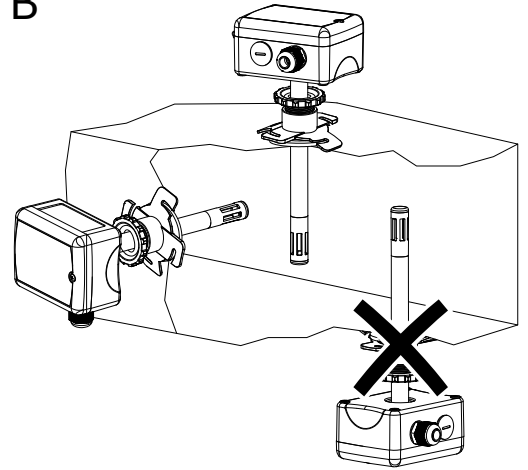


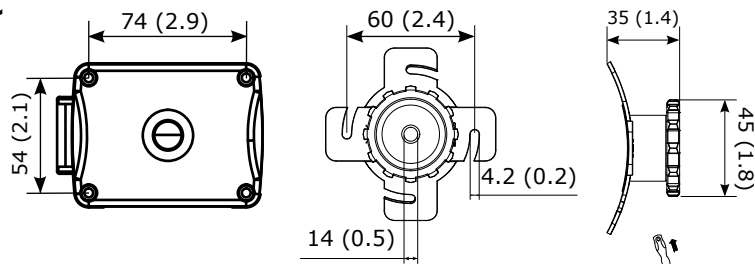
A mm (inch)



B

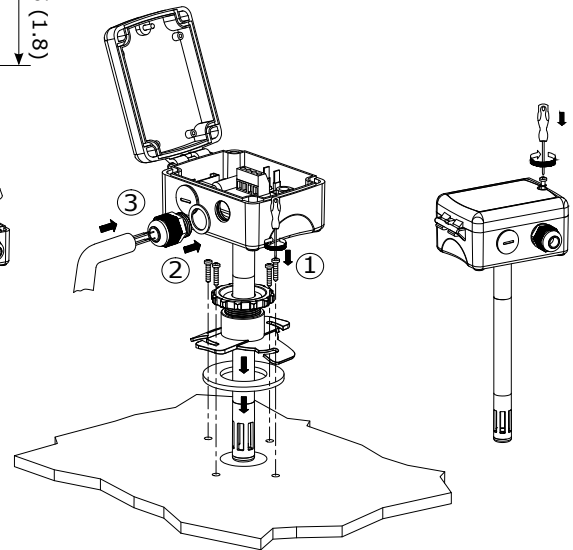
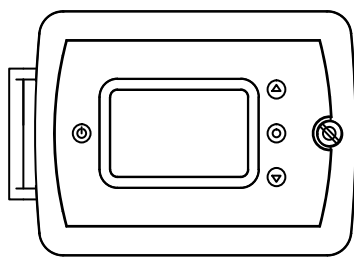


C



i

SDC2-OP



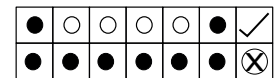
D

AO Mode	AO Range
JP1/JP2 3 <input type="checkbox"/> VDC 2 <input type="checkbox"/> 1 <input type="checkbox"/>	JP3 3 <input type="checkbox"/> 0...10 V 2 <input type="checkbox"/> 0...20 mA 1 <input type="checkbox"/>
3 <input type="checkbox"/> mA 2 <input type="checkbox"/> 1 <input type="checkbox"/>	3 <input type="checkbox"/> 2...10 V 2 <input type="checkbox"/> 4...20 mA 1 <input type="checkbox"/>

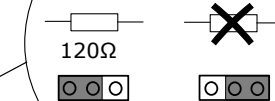
Analog output signals (default)

Model	AO1	AO2
SDC2-16-TH	Temp	RH
SDC2-16-THC	CO2	RH
SDC2-16-THQ	VOC	RH
SDC2-16-THCQ	CO2	VOC

LED-status blinking interval
sec. sec. sec. sec. sec. sec.



JP4 = OPxx-VC
Line Termination (LT)



6 (0.02)

