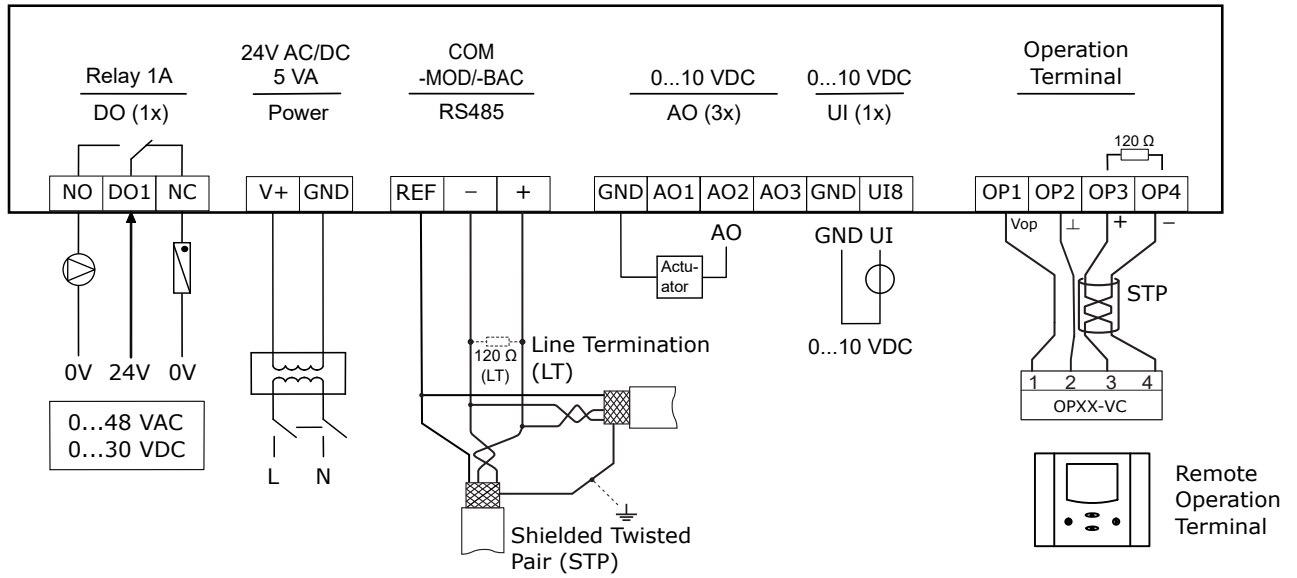
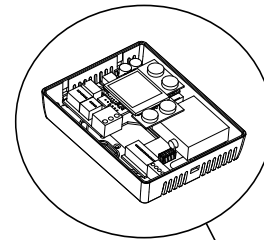
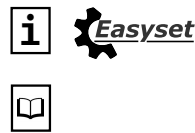
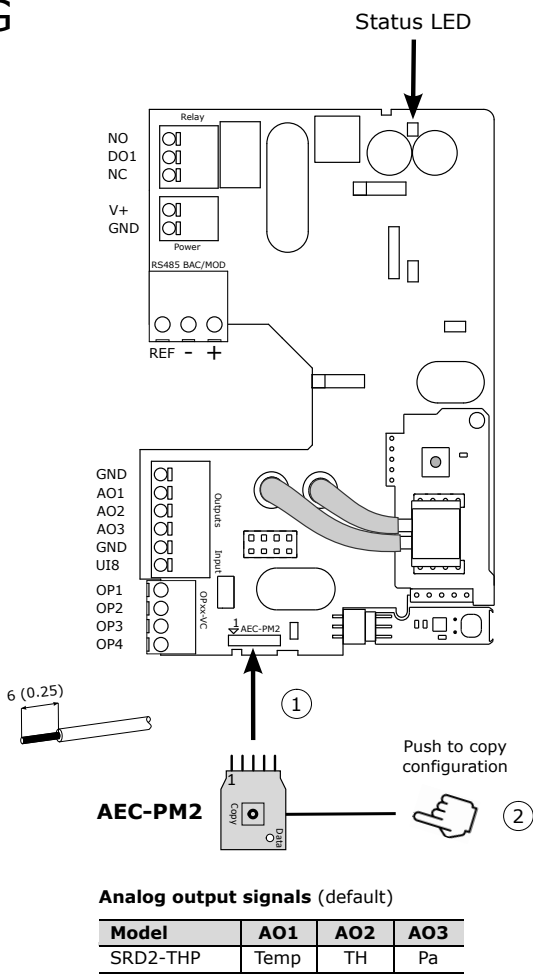


F 24V AC/DC



G



SRD2: -WIM, -WIB

