

TCY-MT-U Series PI-Temperature Controller

Features

- Temperature PI control for HVAC systems.
- Up to 2 modulating outputs for DC 0–10V with 10mV resolution.
- 1 internal temperature sensor and up to 2 external sensor inputs
- Multiple remote-control functions on external input
- Password protected programmable user and control parameters
- Blue backlight

Applications

- Various temperature control applications
- Stand-alone VAV control for pressure independent actuators
- Water-only systems: Radiator, floor heating or chilled ceilings
- Individual room control for offices, residential, hotel rooms, meeting rooms, etc.

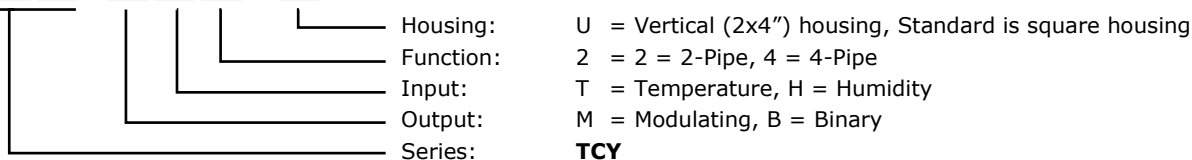


General description

The TCY-MT-U is a stand-alone electronic temperature controller with one control loop. It may use up to 2 PI-sequences. The TCY-MT-U features one internal NTC temperature sensor, up to two external sensor inputs and up to two analog outputs. The configuration has been reduced to a minimum to allow for simple and off-the-shelf usage. For more advanced features and current inputs and outputs the TCI product range is recommended. The TCY-MT-U can be configured using the standard operation terminal. No special tool or software is required.

Name

T C Y - M T 2 - (U)



Ordering

Item Name	Item code	Control Type	Key-data
TCY-MT2-U-W01	40-10 0044-01	Cooling only	Compact PI controller with: 2 TI, 1 AO
TCY-MT2-U-W02	40-10 0044-02	Heating only	
TCY-MT2-U	40-10 0044	2-Pipe system	
TCY-MT4-U	40-10 0046	4-Pipe system	

Accessories

S-Tn10-2	40-20 0001	Flying lead sensor with 6 ft cable
SD-Tn10-12-2	40-20 0002	Flying lead duct sensor 4.7-inch immersion depth, 6 ft. cable
SD-Tn10-20-2	40-20 0003	Flying lead duct sensor 7.8-inch immersion depth, 6 ft. cable
SDB-Tn10-12-1	40-20 0124	Duct sensor with housing, 4.7-inch immersion depth
SDB-Tn10-20-1	40-20 0133	Duct sensor with housing, 7.8-inch immersion depth
SOA-Tn10	40-20 0006	Outdoor sensor

Selection of actuators and sensors

Temperature sensors:

Use only our approved NTC sensors to achieve maximum accuracy. Recommended is SDB-Tn10-20 as Duct sensor, SRA-Tn10 as Room sensor and SDB-Tn10-20 with AMI-S10 as immersion sensor.

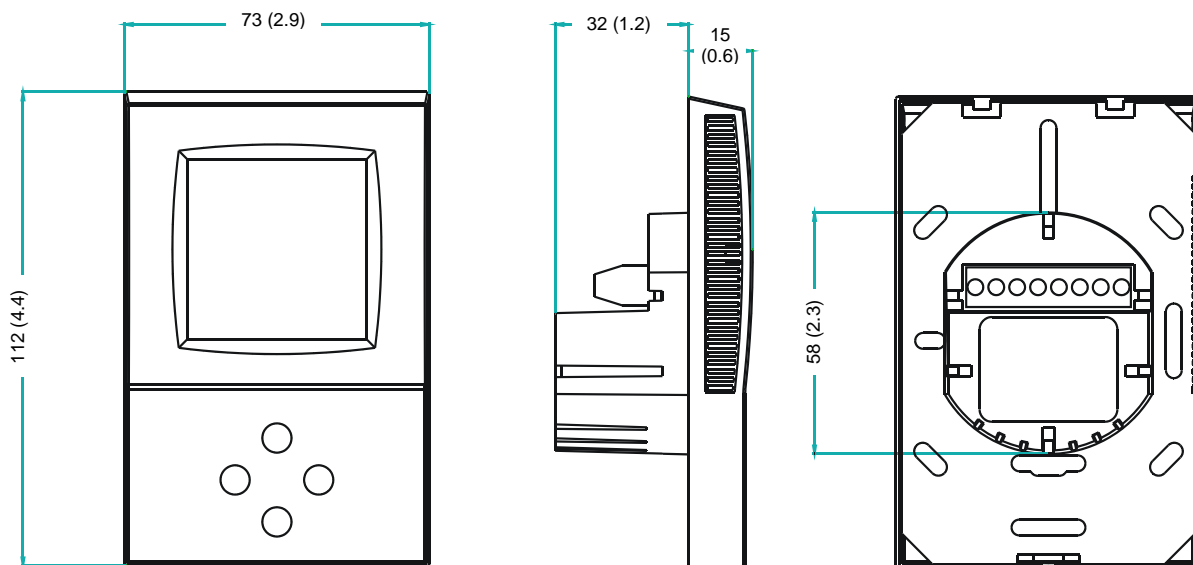
Modulating actuators:

Choose actuators with an input signal type of 0–10V DC or 2–10V DC.

Technical specifications

Power Supply	Operating Voltage	24V AC/DC \pm 10 %, 50/60 Hz, Class II, 48VA max	
	Power Consumption	Max. 1.5 VA	
	Electrical Connection	Terminal Connectors, wire 0.34-2.5 mm ² (AWG 24...12)	
Signal inputs	Temperature Input		
	Range	0-50 °C (32-122 °F)	
	Accuracy	0.5 K	
Signal outputs	Analog Outputs	AO1, For TCY-MT4-U AO2	
	Output Signal	DC 0-10 V	
	Resolution	9.76 mV (10 bit)	
	Maximum Load	10 mA	
Environment	Operation	To IEC 721-3-3	
	Climatic Conditions	class 3 K5	
	Temperature	0-50 °C (32-122 °F)	
	Humidity	<95 % r.H. non-condensing	
	Transport & Storage	To IEC 721-3-2 and IEC 721-3-1	
	Climatic Conditions	class 3 K3 and class 1 K3	
	Temperature	-25-70 °C (-13-158 °F)	
	Humidity	<95 % r.H. non-condensing	
Mechanical Conditions	class 2MT2		
Standards	conform according to EMC Standard 89/336/EEC EMEI Standard 73/23/EEC	EN 61 000-6-1/ EN 61 000-6-3	
	Product standards		
	Automatic electrical controls for household and similar use	EN 60 730 -1	
	Special requirement on temperature dependent controls	EN 60 730 - 2 - 9	
	Degree of Protection	IP30 to EN 60529	
	Safety Class	III (IEC 60536)	
	Cover, back part	Fire proof ABS plastic (UL94 class V-0)	
	Mounting Plate	Galvanized Steel	
	General	Dimensions (H x W x D)	Front part: 112 x 73 x 15 mm (4.4" x 2.9" x 0.6") Power case: \varnothing 58 x 32 mm (\varnothing 2.3" x 1.3")
		Weight (including package)	270 g (9.5 oz)

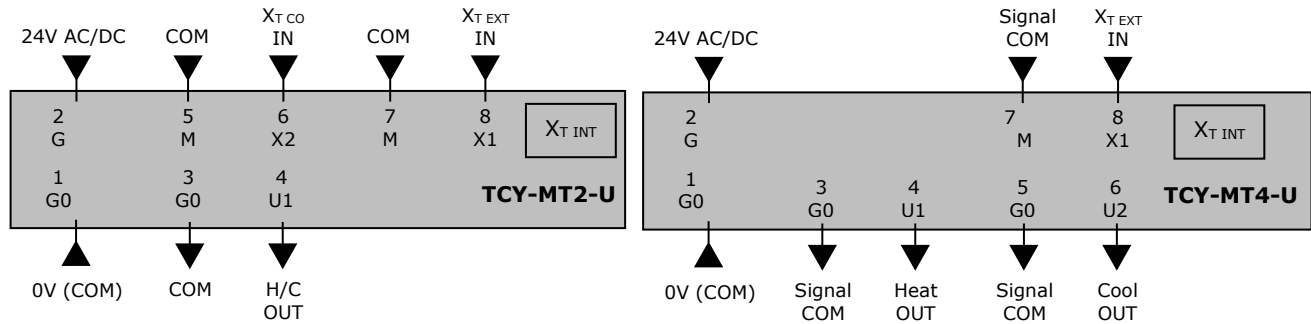
Dimensions [mm] (inch)



Installation and safety advice

Caution! This device is intended to be used for comfort applications. Where a device failure endangers human life and/or property, it is the responsibility of the owner, designer and installer to add additional safety devices to prevent or detect a system failure caused by such a device failure. Vector Controls or its affiliates cannot be held liable for any damage caused by such a failure. Failure to follow specifications and local regulations may endanger life, cause equipment damage and void warranty.

Connection diagram



Description:

G0	Power supply:	0V, -24VDC, internally connected to signal common
G	Power supply:	24VAC, +24VDC
M	Signal common:	Common 0 potential for analog inputs and analog outputs.
X1	External temperature input:	NTC 10kΩ @ 25°C (77°F)

TCY-MT2-U:

X2	Changeover input:	NTC 10kΩ @ 25°C (77°F)
U1	Analog output:	0...10 V DC

TCY-MT4-U:

U1	Analog heating output:	0...10 V DC
U2	Analog cooling output:	0...10 V DC

Installation

The unit consists of two parts: (a) The power case with attached mounting plate and (b) the front part.

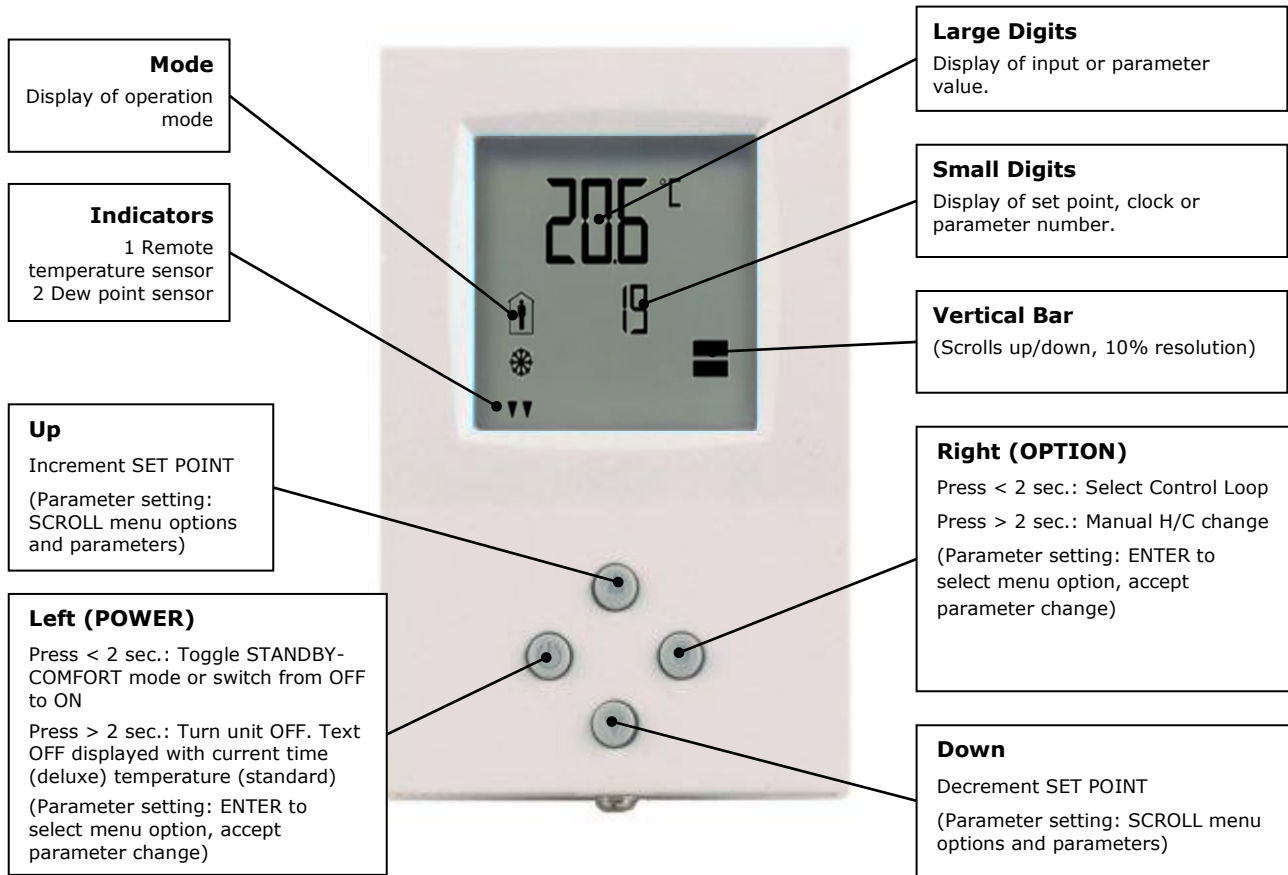
Mounting location

- On an easily accessible interior wall, approx. 1.5 m (4.5') above the floor in an area of average temperature.
- Avoid exposure to direct sunlight or other heat sources, e.g. the area above radiators and heat emitting electrical equipment.
- Avoid locations behind doors, outside walls and below or above air discharge grills and diffusers.
- Location of mounting is less critical if external temperature sensors are used

Installation

1. Connect the wires to be connected to the terminals of the power case according to wiring diagram
2. Install the mounting plate to the flush mounting box. Make sure that the nipple with the front holding screw is facing to the ground. Make sure the mounting screw heads do not stand out more than 5 mm (0.2") off the surface of the mounting plate.
3. Ensure that the jumpers are set correctly.
4. Slide the two latches located on the top of the front part into the hooks at the upper side of the mounting plate.
5. Carefully lower the front part until the interconnector reaches the mounting-plate. Continue pressing in a gentle way until the front part is fully connected. While inserting the connectors, a slight resistance can be felt. This is normal. Do not use excessive force!
6. With a Philips-type screw driver of size #2, carefully tighten the front holding screw to secure the front part to the mounting plate. This screw is located on the front lower side of the unit. There is no need to tighten the screw too much.

Display and operation



Operation mode

	Comfort (occupied)	All control functions operating per set points.
	Economy (unoccupied)	Set points shifted according to <i>Parameters CP04</i> . Economy mode and set point shift may be disabled with UP07
OFF	Energy Hold Off	Outputs are off, inputs monitored for alarm condition
	Heating	Output activates if temperature lower than set point
	Cooling	Output activates if temperature higher than set point

Power failure

All the parameters and set points are memorized and do not need to be reentered. Depending on **UP05** the unit will remain switched off, switch on automatically or return to the operation mode it was in before the power failure.

Deluxe version only: Timer operation and daytime setting will be retained for 24h. The controller has to be connected to a power supply for at least 10 hours for the backup function to operate accordingly.

Error messages

The TCY-MT-U may display the following error condition:

Err1: The connection to the temperature sensor may be interrupted or the temperature sensor is damaged. The output is switched off. Verify parameter settings and wiring.

Configuration parameters for firmware version 1.2

The TCY-MT-U is preset to work for most applications. For special requirements it can be fine-tuned to work ideally with a simple parameter setup routine. The parameters can be changed on the unit without the need of additional equipment.

Identifying the firmware version

The parameters and functionality of controller depend on its firmware version and revision. It is therefore important to use a matching product version and parameter set. The Firmware version and revision version can be found when pressing simultaneously the ▲ and ▼ keys during several seconds. On the upper 7 segment display, the firmware version can be found, on the lower 7 segments display the current revision index (or "sub-version").

Access to parameters

The TCY-MT-U is an *intelligent* controller and can be adapted to fit perfectly into your application. The control operation is defined by parameters. The parameters are set during operation by using the standard operation terminal. The parameters are password protected. There are two levels of parameters: User operation parameters for access control settings and Expert parameters for control functions and unit setup. The passwords for user levels and expert levels are different. Only control experts should be given the control parameter password. The parameters can be changed as follows:

1. Press UP and DOWN button simultaneously for three seconds. The display will indicate the firmware version in the upper large digits and the revision in the lower small digits. Pressing any key will show: CODE.
2. Select a password using UP or DOWN buttons. Select 009 in order to get access to the user parameters, 241 for controls parameters. Press OPTION after selecting the correct password.
3. Once logged in, the parameter is displayed immediately
4. Select the parameters with the UP/DOWN keys. Change a parameter by pressing the OPTION key. The MIN and MAX symbols show up and indicate that the parameter may be modified now. Use UP and DOWN key to adjust the value.
5. After you are done, press OPTION or POWER in order to return to the parameter selection level.
6. Press the POWER key again so as to leave the menu. The unit will return to normal operation if no key is pressed for more than 5 minutes.

User parameters (Password 009)

Parameter	Description	Range	Default
UP 00	Enable access to operation modes	ON, OFF	ON
UP 01	Enable access to set points	ON, OFF	ON
UP 02	Not used	ON, OFF	OFF
UP 03	Enable manual change of Heating/Cooling Mode. No influence on TCY-MT2-U-W01(cooling only) or TCY-MT2-U-W02 (heating only)	ON, OFF	TCY-MT2-W01: OFF TCY-MT2-W02: OFF TCY-MT2: ON TCY-MT4: ON
UP 04	Not used	ON, OFF	OFF
UP 05	State after power failure: 0 = off, 1 = on, 2 = state before power failure	0, 1, 2	2
UP 06	Enable Economy (unoccupied) Mode. Shift the set point to a lower temperature in winter or higher temperature in summer in order to save energy. May be activated through the POWER button, or with the external input (typically for key card switches in hotel rooms or motion detectors for meeting rooms.)	ON, OFF	ON
UP 07	ON = Fahrenheit, OFF = Celsius	ON, OFF	OFF (Celsius)
UP 08	Calibrate internal temperature sensor -10° to +10° in 0.1° steps. (Sensor is factory calibrated, use this feature for field adjustment only as required.)	-10...10	0.0
UP 09	Enable Frost Protection. Activates the output independent of operation mode when the control temperature drops below 5°C or 41°F. The controller returns to normal operation when the temperature increases above 10°C or 50°F.	ON, OFF	TCY-MT2-W01: OFF TCY-MT2-W02: ON TCY-MT2: ON TCY-MT4: ON

Control functions (Password 241)

Warning! Only experts should change these settings! See user parameters for login procedure.

Control configuration

Parameter	Description	Range	Default
CP 00	Minimum set point limit in heating mode	0-60°C (32-160°F)	16°C (61°F)
CP 01	Maximum set point limit in heating mode	0-60°C (32-160°F)	30°C (86°F)
CP 02	Minimum set point limit in cooling mode	0-60°C (32-160°F)	18°C (65°F)
CP 03	Maximum set point limit in cooling mode	0-60°C (32-160°F)	30°C (86°F)
CP 04	Economy (unoccupied) Mode temperature shift: The comfort (occupied) set point is shifted by the value set with parameter. If heating is active the comfort set point will be decreased, if cooling is active, the set point will be increased. (Enable with UP06.)	0-100°C (200°F)	5.0°C (10°F)
CP 05	Dead Zone Span (TCY-MT4-U only): The Dead Zone Span lies between the heating and the cooling set point. The output is off while the temperature is within the dead zone span. A negative dead zone is not possible.	0-100°C (200°F)	1.0°C (2°F)
CP 06	Heat/Cool Changeover Delay (TCY-MT4-U only): A demand to switch between heating and cooling must persist for the length of time set with this parameter before the controller switches. Prevents activation of a sequence during a short-term change in temperature in order to protect equipment (with control overshoot for example)	0-255 min	5 min
CP 07	P-band heating X_{PH}	0-100°C (200°F)	2.0°C (4.0°F)
CP 08	P-band cooling X_{PC}	0-100°C (200°F)	2.0°C (4.0°F)
CP 09	K_{IH} , Integral gain heating, in 0.1 steps, (TI is fixed to 4s) 0 disables ID part low value = slow reaction high value = fast reaction	0...25.5	0.0
CP 10	K_{IC} , Integral gain cooling, in 0.1 steps, 0 disables I part	0...25.5	0.0
CP 11	Configuration of operation mode 0 = TCY-MT2-U-W01 = Cooling mode Y_{C1} 1 = TCY-MT2-U-W02 = Heating mode: Y_{H1} 2 = TCY-MT2-U = Heating and Cooling (2 pipe system) 3 = TCY-MT4-U = Heating and Cooling (4 pipe system)	TCY-MT2-U: 0 - 2 TCY-MT4-U: 0 - 3	TCY-MT2-U-W01: 0 TCY-MT2-U-W02: 1 TCY-MT2-U: 2 TCY-MT4-U: 3

→ Proportional control (P-band)

The proportional control function calculates the output based on the difference between set point and measured value. The proportional band (P-band) defines the difference between set point and measured value which will result in a 100% output. For example, with a heating or reverse 0-10v control sequence, and a 2.0°C (4.0°F) P-band value, at 10v the controller will be 2.0°C (4.0°F) below set point. This is the working range of the proportional control sequence.

Setting the proportional band to 0 disables proportional control.

→ Integral and differential control

Proportional control is a very stable control mode. The flaw of proportional control alone, however, is that the set point is normally not reached. As the measured value gets closer to the set point, the output reduces until it reaches a point, a fraction above or below the set point, where the output equals the load. To reach the set point and achieve a higher level in comfort the Integral/Differential function should be activated.

Integral gain (KI) dynamically increases the output by the selected KI value until the set point is reached. The challenge, however, is to prevent hunting, where the output increases too fast, the temperature overshoots the set point, the output goes to 0, the temperature undershoots the set point, and the cycle repeats itself. Hunting may result if the integral gain is too high. Each system is different. It is recommended to start with a KI value of 0.5 for water-based systems and 1.0 for air-based systems. Reduce this value if the measured value overshoots the set point by more than 1°C (2°F). Increase the value if the output takes too long to reach the set point. Air based systems react faster than water-based systems.

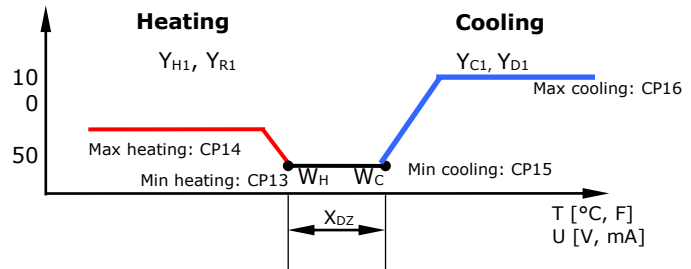
Setting the integral gain to 0 disables integral and differential control.

Output configuration

Parameter	Description	Range	Default
CP 12	Manual Override Mode: Allows manual control of the analog outputs for using the controller as positioner or during commissioning.	ON, OFF	OFF
CP 13	Min output for AO1 (TCY-MT4-U = heating output)	0 – 100 %	0%
CP 14	Max output for AO1 (TCY-MT4-U = heating output)	0 – 100 %	100%
CP 15	Min output for AO2 (TCY-MT4-U = cooling output)	0 – 100 %	0%
CP 16	Max output for AO2 (TCY-MT4-U = cooling output)	0 – 100 %	100%
CP 17	Maximum Output in Economy (unoccupied) Mode Reduces the load on the system when is the space is unoccupied.	0 – 100 %	50%

→ **Limiting the output signal**

The output signal (0–10V) may be limited. The lower limit for example may be changed to 20% for a 2–10V actuator. Other reasons for changing the limits are VAV systems. By changing the limits, the minimum and maximum flows may be adjusted without the need to access the VAV actuator. The output limits may thus be set individually for heating and cooling mode:



Input configuration

Parameter	Description	Range	Default
CP 18	Configuration of remote input (X1) 0 = Control Input 1 = Comfort/Economy Mode switch 2 = Comfort/OFF Mode switch 3 = Keycard switch function 4 = Output enable	0...4	0
CP 19	Activation delay (minutes): The time the binary input needs to be open before Economy or OFF mode is activated.	0...255 min	5
CP 20	Fixed set point for key card function in heating mode	0–60°C (32..160°F)	17°C (63°F)
CP 21	Fixed set point for key card function in cooling mode	0–60°C (32..160°F)	27°C (81°F)
CP 22	For TCY-MT2-U only: Enable Auto changeover	ON, OFF	OFF
CP 23	For TCY-MT2-U only: Auto changeover limit heating	0–60°C (32..160°F)	30°C (86°F)
CP 24	For TCY-MT2-U only: Auto changeover limit cooling	0–60°C (32..160°F)	15°C (59°F)

→ **Configuring the function of the external input X1**

The external input X1 may be configured for several functions:

CP18 = 0	External control input	The control input is provided by the external input. The internal input will not be used.
CP18 = 1	Switching Economy and Comfort modes	Economy (unoccupied) and Comfort (occupied) modes are controlled through an external contact by connecting X1 through a dry contact to signal common. This function may be used together with key card switches for hotels or motion detectors for offices.
CP18 = 2	Switching Energy Hold OFF and Comfort modes	Opening the external temperature input will force the unit into the OFF-operation mode. The operation mode cannot be overridden by using the terminal. Connecting the binary input to GND returns control of the operation mode to the terminal. This function may be used as window contact to prevent loss of energy.
CP18 = 3	Key card function	As with CP18 = 1, the key card function switches economy (unoccupied) and comfort (occupied) modes. Instead of using the set point shift, the set points in unoccupied mode are defined by parameter CP20 and CP21.
CP18 = 4	Output enable	This may be used for a dew point sensor input. Output will switch off if contact opens.

→ **Configuring auto changeover input X2 (TCY-MT2-U only):**

The auto changeover function automatically changes heating and cooling mode based on supply media temperature or outdoor temperature. The difference between the two is in the values of the changeover limits CP23 and CP24. See table below for recommended settings.

Heating and cooling may be as well changed by an open contact switched to signal ground. Note: all signal ground levels of involved controllers must be the same in case more than one controller is switched.

→ **Recommended settings for CP23 and CP24:**

Change over mode	Relation CP23 to CP24	Example CP23	Example: CP24
Supply media	CP23 > CP24	25°C (77F)	18°C (64F)
Outside temperature	CP23 < CP24	15°C (59F)	25°C (77F)
Dry contact: Heating if contact closed	CP23 > CP24	25°C (77F)	15°C (59F)
Dry contact: Cooling if contact closed	CP23 < CP24	15°C (59F)	25°C (77F)

**Efficient use of energy -
for a better future**

**Quality - Innovation - Partnership
Vector Controls GmbH**

Vector Controls LLC
17, Francis J. Clark Circle
Bethel, CT 06801
USA
infous@vectorcontrols.com
www.vectorcontrols.com

