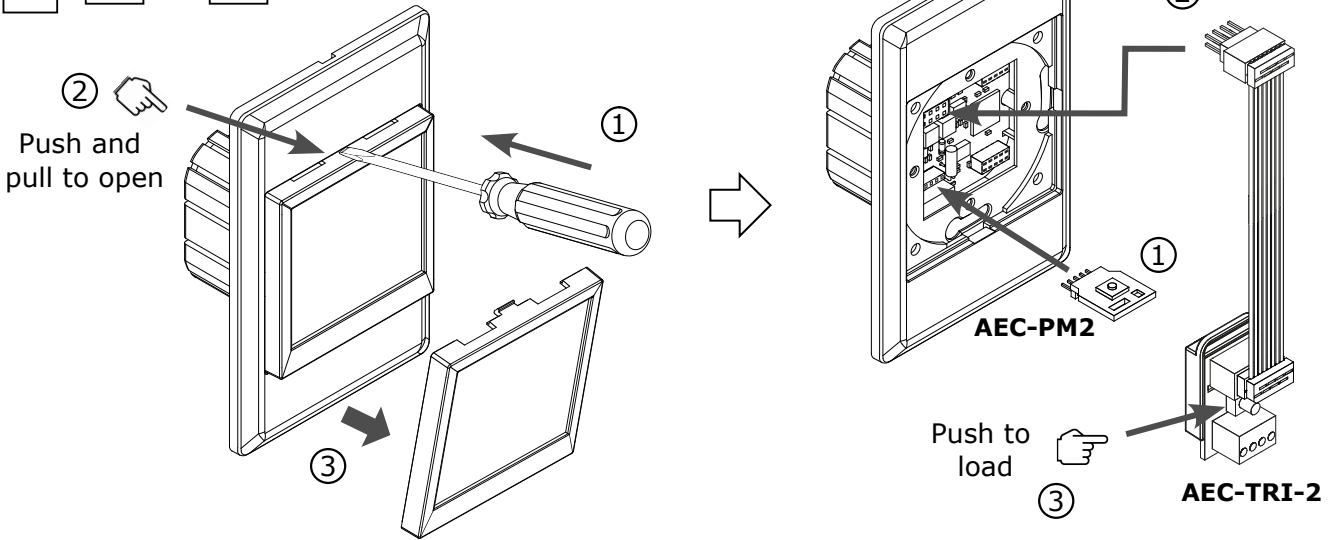
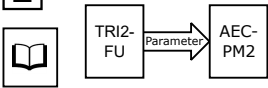
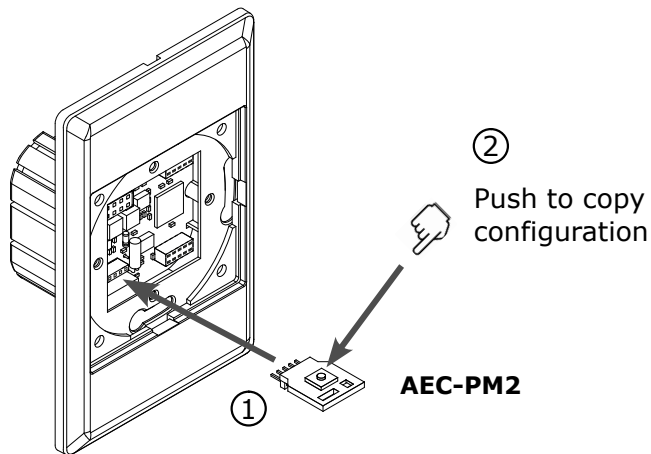
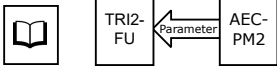


i Load Configuration to AEC-PM2

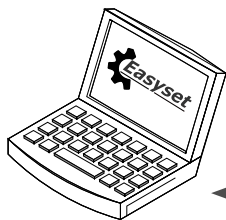


i Copy Configuration to TRI2

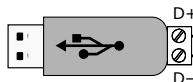


i **Easyset** TRI2-FU ↔ Easy Set

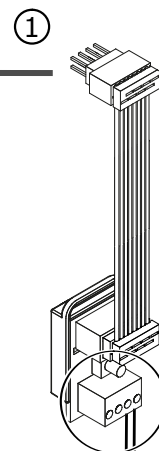
For TRI2 with
-WIM or -WIB



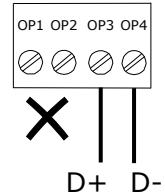
③ **USB ↔ RS485**



AEC-USB-01



Only for TRI2
without -WIM or -WIB



www.vectorcontrols.com

