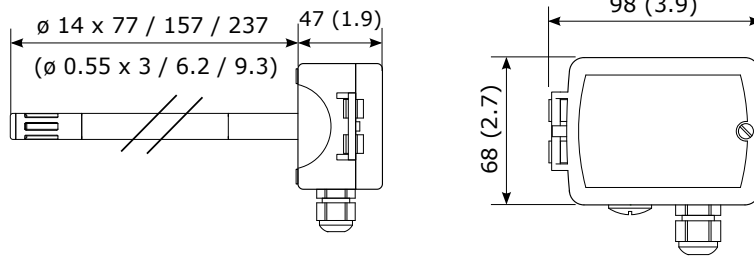
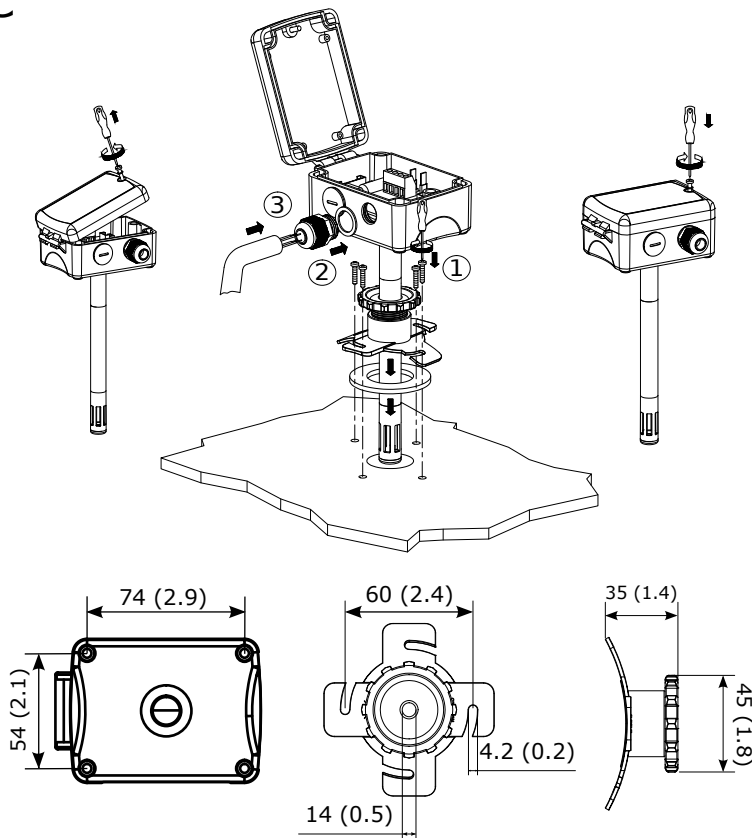


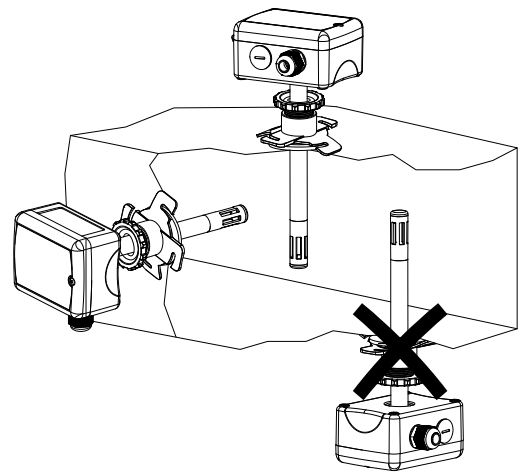
A mm (inch)



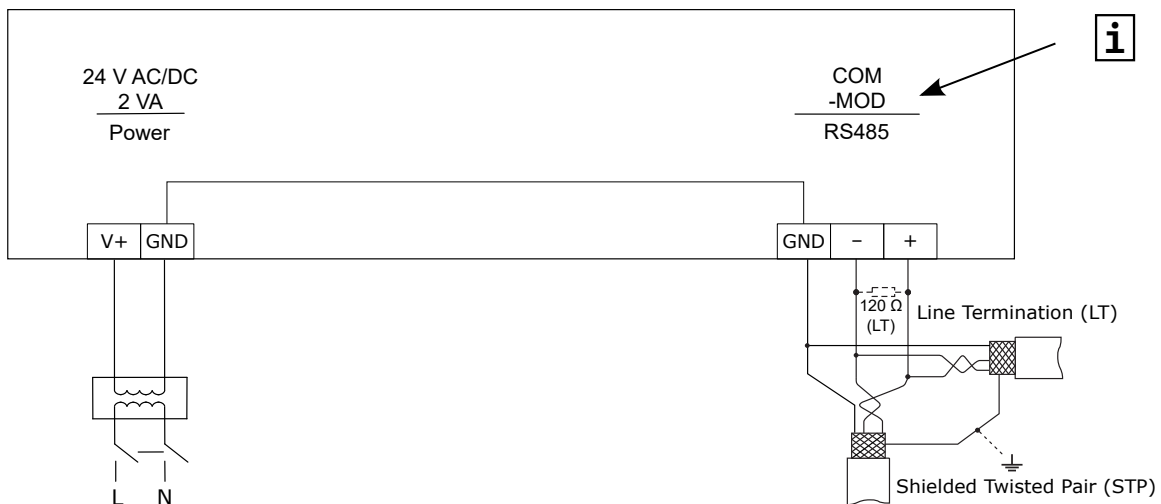
C

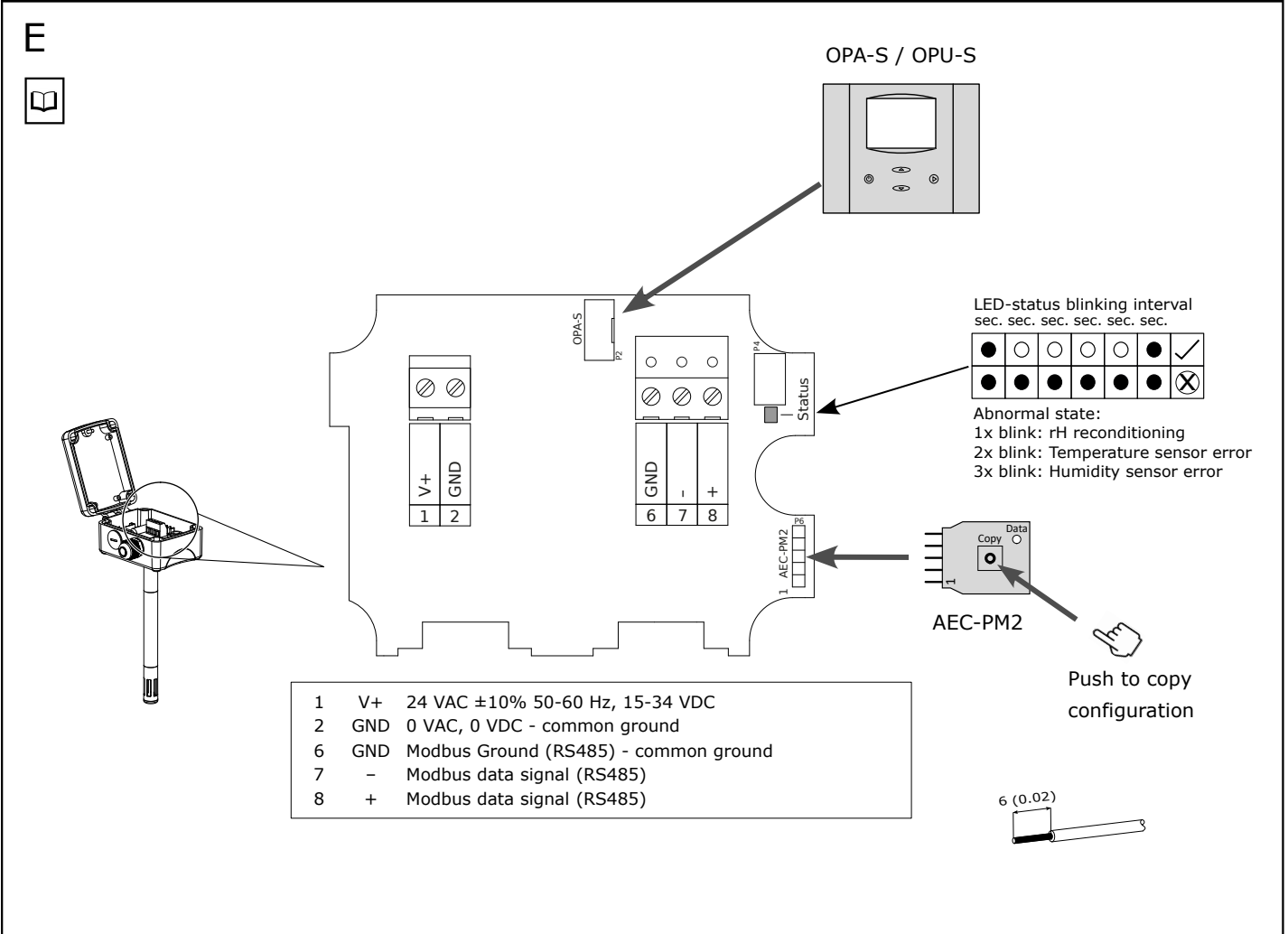
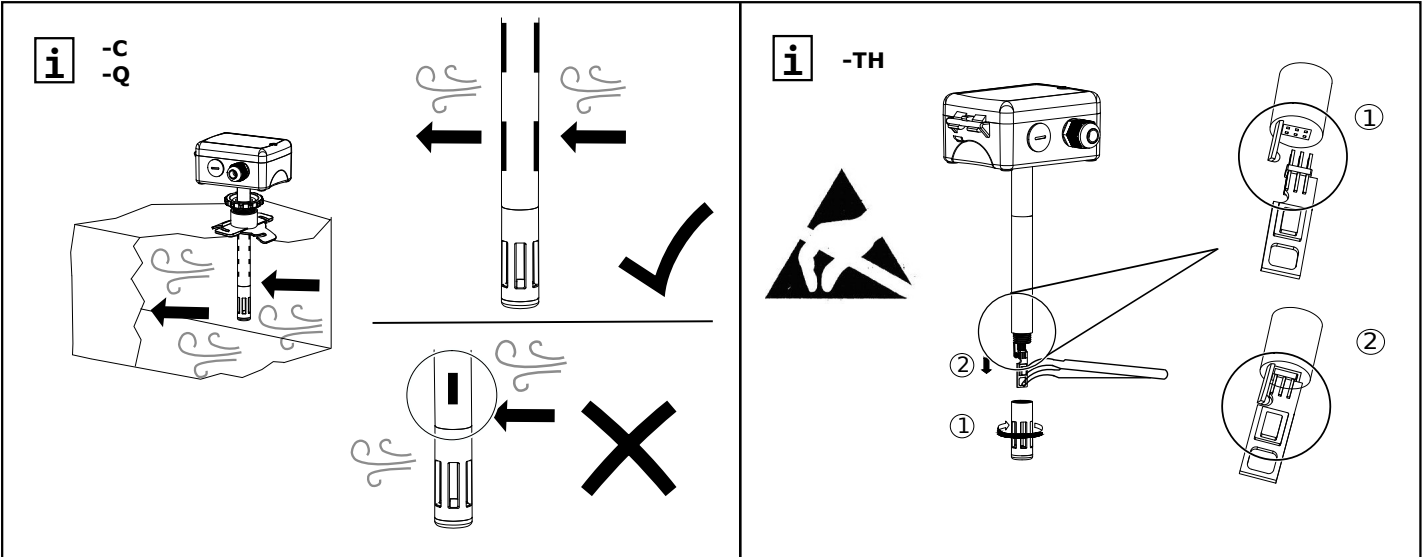


B



D 24V AC/DC





- 1 V+ 24 VAC ±10% 50-60 Hz, 15-34 VDC
- 2 GND 0 VAC, 0 VDC - common ground
- 6 GND Modbus Ground (RS485) - common ground
- 7 - Modbus data signal (RS485)
- 8 + Modbus data signal (RS485)