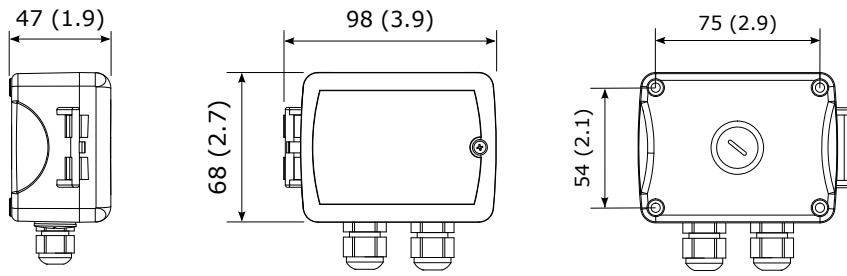
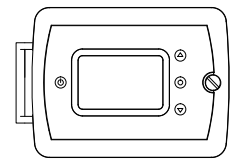


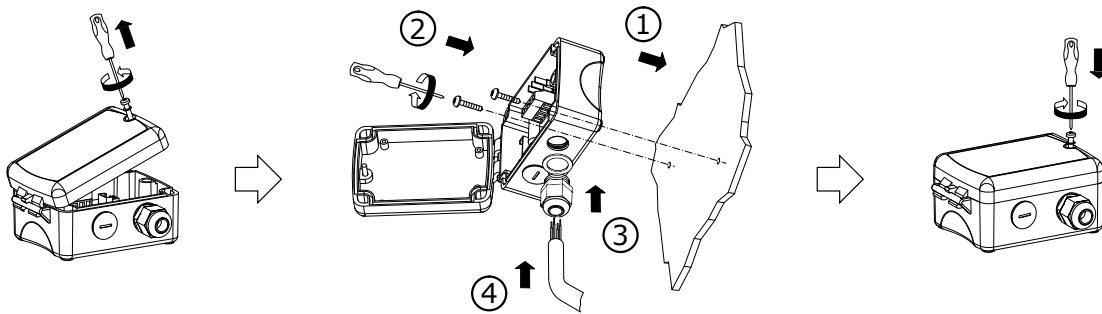
### A mm (inch)



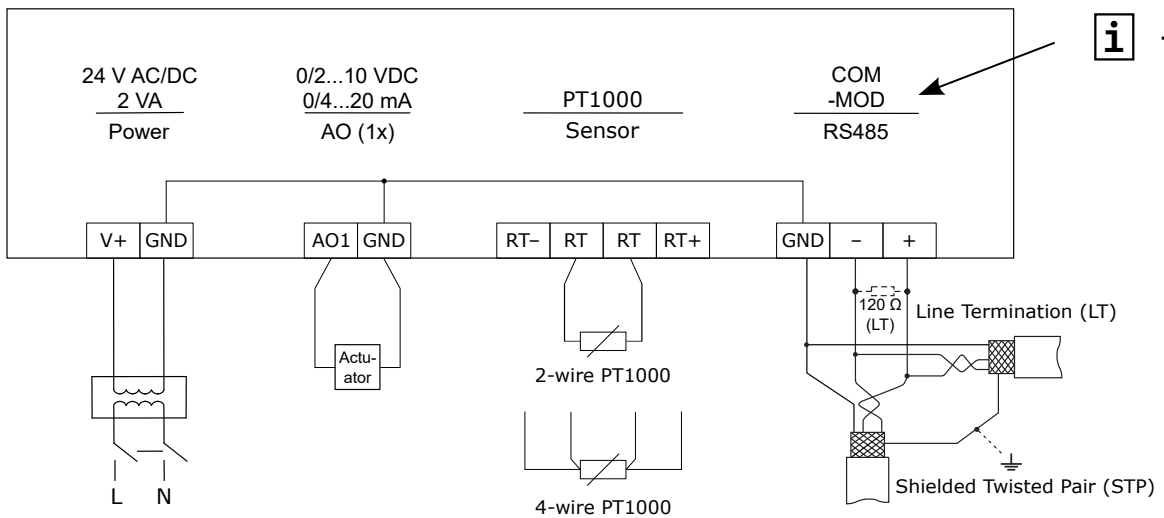
**-OPC-S**



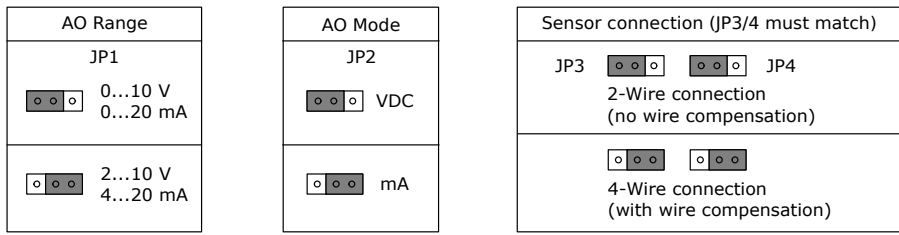
### B



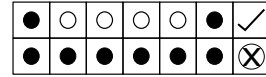
### C 24V AC/DC



D

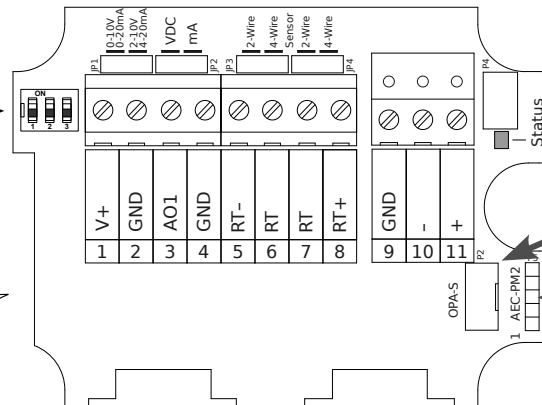
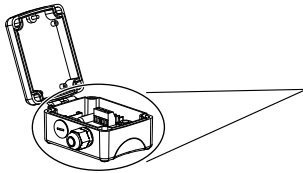


LED-status blinking interval  
sec. sec. sec. sec. sec. sec.

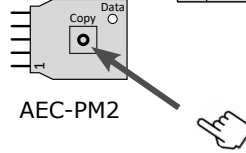
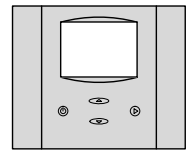


Sensor error

Temperature range selection



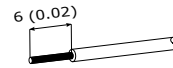
OPA-S / OPU-S



AEC-PM2

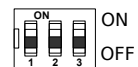
Push to copy configuration

- 1 V+ 24 VAC ±10% 50-60 Hz, 15-34 VDC
- 2 GND 0 VAC, 0 VDC - common ground
- 3 AO1 DC 0(2)...10 V  
DC 0(4)...20 mA
- 4 GND Ground analog output - common ground
- 5 RT- Negative power supply for external sensing element
- 6 RT Negative measuring input for external sensing element
- 7 RT Positive measuring input for external sensing element
- 8 RT+ Positive power supply for external sensing element
- 9 GND Modbus Ground (RS485) - common ground
- 10 - Modbus data signal (RS485)
- 11 + Modbus data signal (RS485)

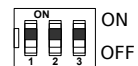


### Temperature range selection

| Number            | Position<br>DIP switch<br>1 | Position<br>DIP switch<br>2 | Position<br>DIP switch<br>3 | Temperature<br>range<br>[°C] | Temperature<br>range<br>[°F] |
|-------------------|-----------------------------|-----------------------------|-----------------------------|------------------------------|------------------------------|
| 0 <sup>1)</sup> = | OFF                         | OFF                         | OFF                         | -40...400 °C                 | -40...752 °F                 |
| 1 =               | ON                          | OFF                         | OFF                         | -40...60 °C                  | -40...140 °F                 |
| 2 =               | OFF                         | ON                          | OFF                         | 0...50 °C                    | 32...122 °F                  |
| 3 =               | ON                          | ON                          | OFF                         | 0...100 °C                   | 32...212 °F                  |
| 4 =               | OFF                         | OFF                         | ON                          | 0...250 °C                   | 32...482 °F                  |
| 5 =               | ON                          | OFF                         | ON                          | -40...150 °C                 | -40...302 °F                 |
| 6 =               | OFF                         | ON                          | ON                          | -20...80 °C                  | -4...176 °F                  |
| 7 =               | ON                          | ON                          | ON                          | -15...35 °C                  | 5...95 °F                    |



All DIP switches OFF



All DIP switches ON

1) Standard position

