

AEPS-L-24-x-DC Power Supply for comfort ventilation systems

Features

- 85 - 250 V AC power supply
- 24 V DC / 10 or 20 W nominal output power
- Master-Slave or parallel configuration of actuators
- Power indication LED
- RJ12 socket for configuration of actuators
- IP40
- Up to 3 VAV controllers simultaneously connectable.
- Suitable for wall mounting



Applications

The power supply AEPS-L-24-x-DC provides 10 or 20 W 24 V DC power to VAV controllers, actuators and room controllers or positioning devices.

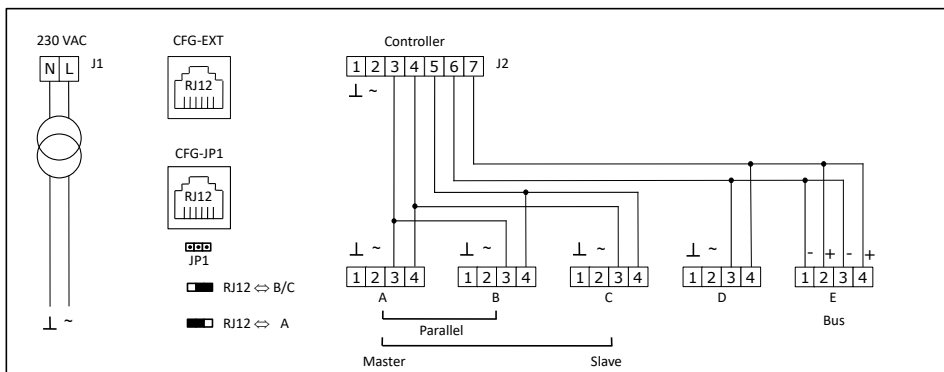
Master-slave / parallel circuits can be done by simply plugging in the actuator plug to the appropriate connector. An RJ12 socket allows easy connection of a programming tool for VAV actuators.

The power supply unit has been designed so that B and C cannot be plugged in simultaneously, to prevent possible short-circuiting.

Types and Ordering

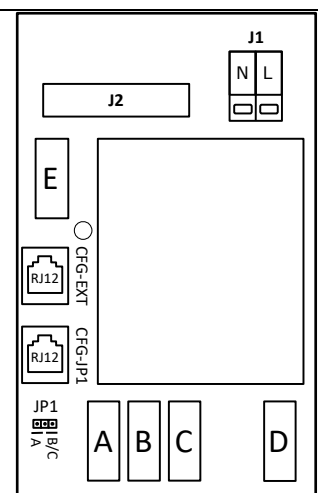
Product name	Product No.	Description
AEPS-L-24-10-DC	40-50-0170	Power supply 85 - 250 V AC to 24 V DC with 10 W output power.
AEPS-L-24-20-DC	40-50-0176	Power supply 85 - 250 V AC to 24 V DC with 20 W output power.
AEC-SW1-RJ12	40-50-0171	Interface for switching between supply and return air actuators.

Wiring diagram



Connection description

J1	Supply 85-250 V		
J2	Control unit / control signal 1 = - 24 VDC 2 = + 24 VDC 3 = 2...10 VDC control signal for drives A and B 4 = Feedback signal from A, as well as control signal for C 5 = Feedback signal from B or C 6 = Control signal for drive D 7 = Feedback signal for drive D		
CFG-EXT	Programming device for external A - BC switch		
CFG-JP1	Programming device for internal A - BC switch (JP1) JP1 - A = RJ12 Connected to Actuator A JP1 - B/C = RJ12 Connected to Actuator B or C		
A,B,C,(D)	Actuators - VAV controllers 1 = - 24 VDC 2 = + 24 VDC 3 = 2...10 V control signal 4 = Feedback signal	E	Bus 1 = - 2 = + 3 = - 4 = +



Technical specification

Safety advice

The power supply may not be used with devices that serve, directly or indirectly, health-related or life-saving purposes or that may present a danger to persons or property.

Power supply	Operating voltage	85...250 V AC, 50/60 Hz	
	Electrical connection	Push-in terminals, wire 2 x 1...2.5 mm ²	
Outputs	Nominal voltage	24 V DC	
	Rated power	AEPS-L-24-10-DC: 10 W AEPS-L-24-20-DC: 20 W	
	Connections		
	Drive and VAV-controllers Control Configuration	Plug 4 x 0.34...1,5 mm ² Screw terminals: 7 x 0.34...2.5 mm ² RJ12	
Environment	Operation	To IEC 721-3-3	
	Climatic conditions	Class 3K5	
	Temperature	-10...+50 °C (14...122 °F)	
	Humidity	< 90% RH, non-condensing	
	Transport and Storage	To IEC 721-3-2 and IEC 721-3-1	
	Climatic conditions Temperature Humidity Mechanical conditions	Class 3 K3 and class 1 K3 -25...70 °C (-13...158 °F) < 90% RH, non-condensing Class 2M2	
Standards	conform according to 2014/30/EU EMC 2014/35/EU LVD	EN 61000-6-1 / EN 61000-6-3	
	Degree of protection	IP40 (EN 60529)	
	Environmental class	II (EN 60730-1)	
	Safety class	II (IEC 60536)	
	Overvoltage category	III (EN 60730-1)	
	General	Material	PC+ABS plastic
		Dimensions (L x B x H)	160 x 75 x 50 mm (6.3 x 3.0 x 2.0 in)
		Weight (incl. package)	285 g (10.0 oz)

Dimensions, mm (inch)

