

## SDC-H1 Duct humidity transmitter

### Features

- Humidity measurement for air ducts
- Sensor reconditioning function against contamination
- Anti-Creep function for high humidity environments
- Minimum and maximum value memory
- Replaceable sensor element
- 0...10 V, 0...20mA or 2...10V, 4...20mA measuring signals selectable with jumpers
- Optional alternative signal ranges programmable
- Selectable averaging signal
- Optional LCD display (OPC-S) or external display (OPA-S)
- Status LED



### Applications

- Humidity measurement for supply and return air ducts in heating, ventilation and air conditioning applications
- Recording of minimum and maximum values for critical environments
- Supervision of critical humidity
- Measurements in high humidity environments

### Humidity transmitter

A capacitive sensor element is used for measuring relative humidity. The applied measuring technology guarantees excellent reliability and long-term stability. The microprocessor samples the humidity once per second. It calculates an averaging signal over a present number of seconds and generates the output signal. Standard output signal range and types may be selected by jumpers. Standard signal ranges are: 0...10VDC, 2...10VDC, 0...20mA and 4...20mA. Other ranges can be defined by using a programming tool (OPA-S or OPC-S). A version with display is possible by ordering the integrated display accessory OPC-S.

### Minimum and maximum values

Using a display and programming accessory, the user has the option to read out and reset minimum and maximum values. The minimum and maximum values may as well be used as output signals. The minimum and maximum values are saved into the EEPROM and are available after a power interruption.

### Safety



#### **DANGER! Safety advice**

This device is for use as a humidity transmitter. It is not a safety device. Where a device failure could endanger human life and property, it is the responsibility of the client, installer and system designer to add additional safety devices to prevent such a device failure. Ignoring specifications and local regulations may cause equipment damage and endangers life and property. Tampering with the device and misapplication will void warranty.

### Types and Ordering

Per default a sensor element with 3% RH accuracy and a PG9 cable gland (item AMC-1) for cables  $\varnothing$  4 – 8 mm (AWG 6-1) is included. Contact your local sales contact to order sensing elements with different accuracies or if you prefer a sensor with conduit connector or a built-in display module.

#### Transmitter (default)

Product Name	Product No.	Description/Option
SDC-H1-08-A3-1	40-300146	Transmitter for duct mounting: probe length 8 cm (3.1"), incl. cable gland AMC-1 and humidity sensor element AES4-HT-A3
SDC-H1-16-A3-1	40-300147	Transmitter for duct mounting: probe length 16 cm (6.2"), incl. cable gland AMC-1 and humidity sensor element AES4-HT-A3
SDC-H1-24-A3-1	40-300199	Transmitter for duct mounting: probe length 24 cm (9.4"), incl. cable gland AMC-1 and humidity sensor element AES4-HT-A3

#### Sensor element (for replacement only)

Product Name	Product No.	Humidity Accuracy [%RH]	Temperature Accuracy [K] @25°C (77°F)	Description/Option
AES4-HT-A2	40-500153	2%	$\pm 0.5^\circ$	Humidity sensor element
AES4-HT-A3 *	40-500152	3%	$\pm 0.4^\circ$	
AES4-HT-A5	40-500144	5%	$\pm 0.3^\circ$	

\* Standard sensor

### Accessories

Product Name	Product No.	Description/Option
OPC-S	40-500029	Built in display and programming module
OPA-S	40-500006	External display module
AMS-1	20-100116	Weather shield to protect the sensor element
AMC-2	40-500074	Conduit connector NPT 1/2

### Technical Specifications

<b>Power supply</b>	Operating voltage	24 VAC 50/60 Hz $\pm$ 10%, 24 VDC $\pm$ 10%	
	Transformer	SELV to HD 384, Class II, 48VA max	
	Power consumption	Max 2 VA	
	Terminal connectors	For wire 0.34...2.5 mm <sup>2</sup> (AWG 22...13)	
<b>Sensing probe</b>	Humidity sensor	Capacity sensor element	
	Range	0...100%RH	
	Measuring accuracy	See figure 1	
	Hysteresis	$\pm$ 1%	
	Repeatability	$\pm$ 0.1%	
<b>Signal outputs</b>	Stability	< 0.5% / year	
	Analog outputs		
	Output signal	0...10 VDC or 0...20 mA	
	Resolution	10 Bit, 9.7 mV, 0.019.5 mA	
<b>Environment</b>	Maximum load	Voltage: $\geq$ 1 k $\Omega$ Current: $\leq$ 250 $\Omega$	
	Operation	To IEC 721-3-3	
<b>Standards</b>	Climatic conditions	class 3K5	
	Temperature (no display) / with display (OPC-S)	-40...70°C (-40...158°F) / 0-50°C (32-122°F)	
	Humidity	<95% RH non-condensing	
	Transport & storage	To IEC 721-3-2 and IEC 721-3-1	
	Climatic conditions	class 3K3 and class 1K3	
	Temperature (no display) / with display (OPC-S)	-40...80°C (-40...176°F) / 0-50°C (32-122°F)	
<b>General</b>	Humidity	<95% RH non-condensing	
	Mechanical conditions	class 2M2	
	Degree of protection	IP60 to EN 60529	
<b>General</b>	Mounted probe down with AMS-1	IP63	
	Safety class	III (EN 60730-1)	
	Housing Materials	Cover, back part Filter material	Flame retardant PC+ABS plastic (UL94 class V-0) PTFE coated 1 $\mu$ m pores
	Dimensions (H x W x D)	Transmitter case Probe	68 x 91 x 47mm (2.7 x 3.7 x 1.9 in) $\varnothing$ 14 x 80/160/240 mm ( $\varnothing$ 0.55 x 3.1/6.2/9.4 in)
<b>General</b>	Weight (incl. package)	SDC-H1-08-A3-1 SDC-H1-16-A3-1 SDC-H1-24-A3-1	229 g (8.1 oz) 264 g (9.3 oz) 299 g (10.5 oz)

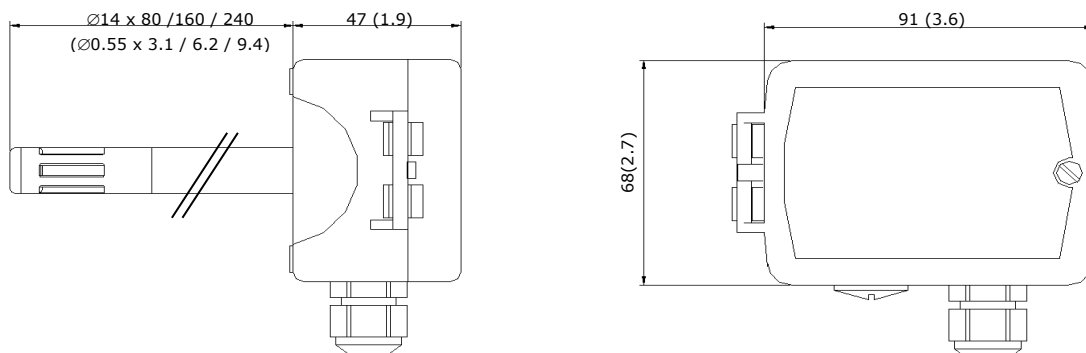
### Product testing and certification



Declaration of  
Conformity

Information on the conformity of our products can be found on our website  
[www.vectorcontrols.com](http://www.vectorcontrols.com) on the corresponding product page under "Downloads".

### Dimensions mm(inch)



## Mounting and Installation

### Mounting location

The transmitter should be installed on the duct in an area where the air stream is well mixed:

- Locate a supply air sensor two or three meters downstream from the nearest fan and coil.
- Mount the return air sensor close to the air inlet but downstream from a return fan if one is present.



#### Important

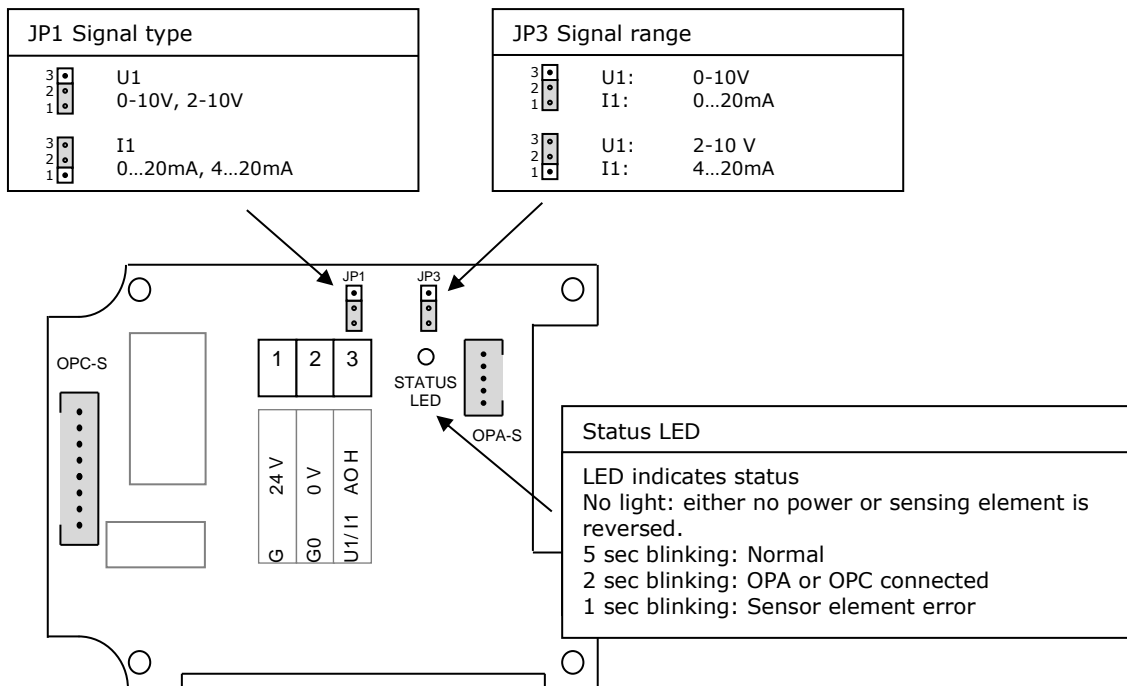
Observe local regulations!

### Mounting instruction / replacing the sensor element



See installation sheet no. 70-000525 ([www.vectorcontrols.com](http://www.vectorcontrols.com)).

### Jumper settings



### Recondition the sensing element



#### Important

If the sensor has been exposed to chemical contamination or prolonged exposure to very humid climates (> 80%), we recommend running the "Sensor Reconditioning Function" once prior to continuous use to remove contamination and creep effect. This will ensure that the sensor operates at its specified accuracy.



For details on how to activate the sensor reconditioning function see chapter "Sensor reconditioning function" on page 5.

### Information about storage, packaging and usage environment



#### NOTE:

The sensing part is a polymer, which measures the humidity in the ambient air. For proper sensor operation some mandatory precautions need to be taken during storage, packaging and usage. The transmitter and its sensing element should not be packaged, stored or used in out-gassing plastic materials, which could cause sensor contamination. In particular, it is recommended not to use any glue or adhesive tapes (Sellotape, Scotch-Tape, Tesa-Film, etc.) within the package or close proximity of the sensor. Foamed materials often cause contamination problems and should not be used to package the transmitter. Best packaging material is a simple cardboard box or a deep-drawn plastic case in a cardboard box.

## Operation of the –OP type transmitter

### Standard display

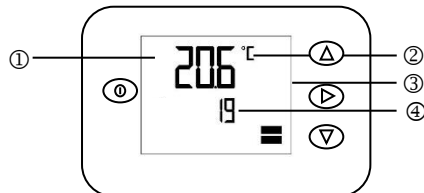
Single input transmitters: The current, minimum or maximum value is shown in the large digits. The small digits indicate the active input (IN 1). The vertical bar on the right side indicates the actual output voltage or current in 10% steps.

### Indication and reset of minimum and maximum values

Activate the desired transmitter for dual transmitter by pressing the RIGHT key. Press UP to display maximum values, press DOWN key to display minimum values.

Resetting minimum or maximum values: Pressing either UP or DOWN keys for longer than 3 seconds while the minimum or maximum values are displayed.

### Display



#### Legend:

- 1: 4-digit display of current value, minimum, maximum or control parameter
- 2: Unit of displayed value, °C, °F, % or none
- 3: Vertical display of output or input signal with a resolution of 10%
- 4: 4-digit display of current value or control parameter

### Operation keys

Key	Function	Description
①	LEFT key:	Exit from parameter menu
△	UP key:	Display maximum values, Press for more than 2 seconds resets maximum value
▽	DOWN key:	Display minimum values, Press for more than 2 seconds resets minimum value
▷	RIGHT key:	Select transmitter, for transmitters with more than one input.

**Sensor**

**Accuracy of Temperature & Humidity sensor in -H, -T and -HT type**

**AES4-HT-A3 standard sensor**

**Relative humidity absolute accuracy**

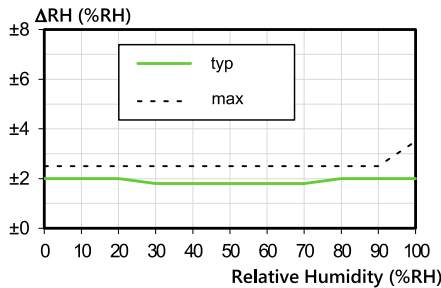


Figure 1: Typical and maximal RH accuracy at 25°C (77°F)

**Temperature accuracy**

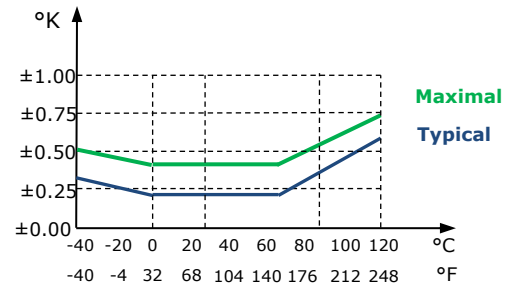


Figure 2: Typical and maximal temperature accuracy

**Anti-creep function for devices with AES4 sensors**

**Ensuring high accuracy of humidity measurement**

When the AES4 sensor is exposed to very humid environments for extended periods of time, an anti-creep function is activated in the background to ensure that the sensing element remains accurate. While the anti-creep function is active, the RH value will appear to be frozen for short periods of time.

**Sensor reconditioning function**

Reconditioning the humidity sensing element eliminates chemical contamination and creep effects on the sensor and ensures that it operates at its specified accuracy.

Reconditioning can be configured to run once, periodically, or only at power-up.

Parameter **IP03** allows for sensor reconditioning of AES4 sensors.

Per default the value of this parameter is 0. If a number is entered the reconditioning procedure is started:

- The sensor is reconditioned for the number of minutes entered in **IP03**. During this time the status LED blinks in 1 second rhythm.
- If no interval is defined with **IP04**, the number in **IP03** is set to 0, once the recondition has started.
- If an interval is set with **IP04**, the value remains unchanged. When the internal counter reaches 0, reconditioning stops. The interval in hours defined in **IP04** determines the waiting time for the next reconditioning. The interval is stopped during a power failure and resumed when power is restored.

Parameter **IP05** allows reconditioning at each power-up. This reconditioning interval is independent of **IP03** or **IP04** settings. At each power up, the sensor will perform the reconditioning function according to the time in minutes defined with **IP05**.



**Recommendation**

We recommend to set the **IP03** value to **80** minutes recondition time if the sensor is out of its accuracy range.



**Note**

The display will freeze during reconditioning.



**Important**

Reconditioning will not continue if interrupted by a power cycle!

## Configuration

The transmitter can be adapted to fit perfectly into any application by adjusting the software parameters. The parameters are set with the operation terminals OPA-S or OPC-S. The OPA-S may also be used as remote indicator.

### Configuration parameters

The parameters are password protected. The parameters can be changed as follows:

1. Press UP and DOWN key simultaneously for three seconds. The display will indicate CODE.
2. Select a password using UP or DOWN keys. Dial **09** in order to get access to the configuration parameters. Press the RIGHT key after selecting the correct password.
3. Once logged in, choose IP for input configuration or OP for output configuration using UP or DOWN. Press the RIGHT key after selection.
4. The parameters are now displayed. The small digits show the parameter number, the large one its value.
5. Select the parameters with the UP/DOWN keys. Change a parameter by pressing the RIGHT key. The MIN and MAX symbols show up and indicate that the parameter may be modified now. Use UP and DOWN key to adjust the value.
6. After you are done, press RIGHT or LEFT key in order to return to the parameter selection level.
7. Press the LEFT key again so as to leave the menu. The unit will return to normal operation if no key is pressed for more than 5 minutes.
8. The parameters and its values depend on the transmitter. Please use the respective datasheet for the list of parameters.

### Input configuration

Parameter	Description	Range	Default
IP 00	H1: Show Percent	ON, OFF	ON
IP 01	H1: Samples taken for averaging control signal	1...255	10
IP 02	H1: Calibration	-10...10%	0
IP 03	Duration of the AES4-HT sensor reconditioning. This value will be cleared if periodic reconditioning is not active. It will remain if periodic reconditioning is enabled. 0: Not active	0-240 min	0 (not active)
IP 04	Interval period for AES4-HT sensor reconditioning 0: Periodic reconditioning disabled 1-240: Period reconditioning enabled (repeats every xxx hours)	0-240 hours	0 (not active)
IP 05	Power up reconditioning for AES4-HT sensor. The sensor is reconditioned each time it is power up. Periodic reconditioning settings have no effect. 0: Not active.	0-240 min	0 (not active)

### Output configuration

Parameter	Description	Range	Default
OP 00	AO1: Humidity: Configuration of output signal: 0 = Feedback humidity input, 1 = Feedback humidity minimum value 2 = Feedback humidity maximum value	0 – 2	0
OP 01	AO1: Humidity: Minimum limitation of output signal	0 – Max %	0%
OP 02	AO1: Humidity: Maximum limitation of output signal	Min – 100%	100%

### Output signal configuration

The analog output signal type may be configured with a jumper for 0-10 VDC or 0-20 mA control signals. The jumpers are located next to the terminal connector of each analog output. See table below for jumper placement. The factory setting is to 0-10 VDC.

Signal type	JP1
0 – 10 V	(1-2)
0 – 20 mA	(2-3)

The signal range may be set with JP3 for both analog outputs. JP3 will only operate if the output range specified with OP01 and OP02 is left at the default position of 0...100%. With any other setting the position of JP3 has no influence and the range defined with the output parameters applies.

Signal range	JP3
0 – 10 V, 0 – 20 mA	(1-2)
2 – 10 V, 4 – 20 mA	(2-3)

### Jumper settings



For jumper settings see chapter "Jumper settings" on page 3.

Empty page.

## Smart Sensors and Controls Made Easy!

### Quality - Innovation – Partnership

Vector Controls GmbH  
Switzerland

[info@vectorcontrols.com](mailto:info@vectorcontrols.com)  
[www.vectorcontrols.com/](http://www.vectorcontrols.com/)

