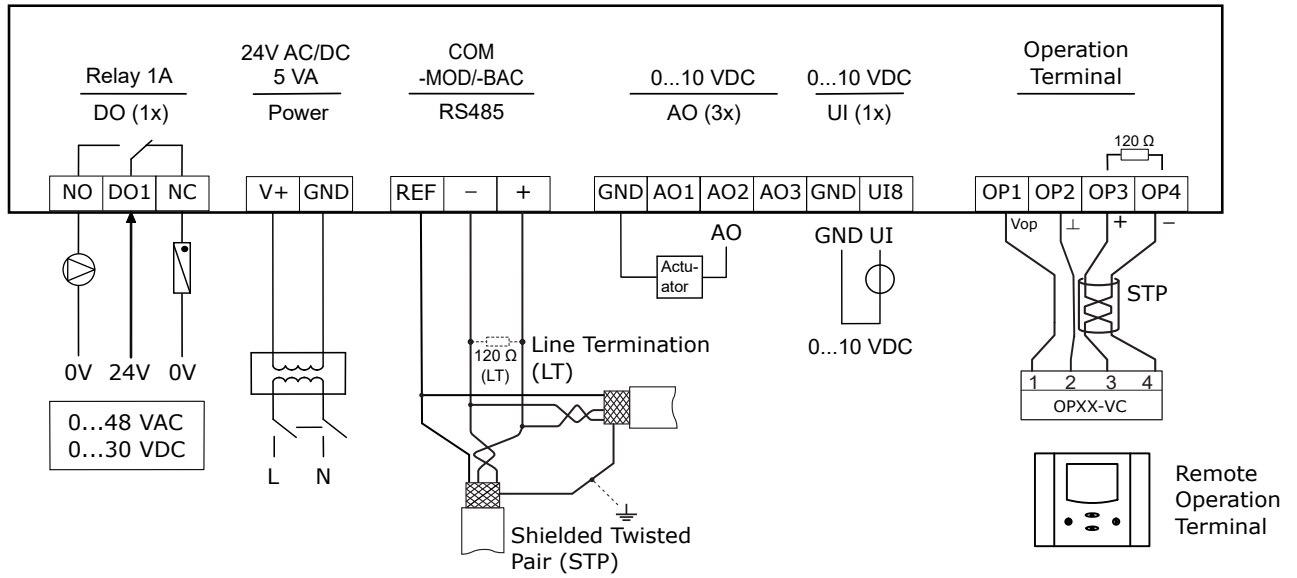
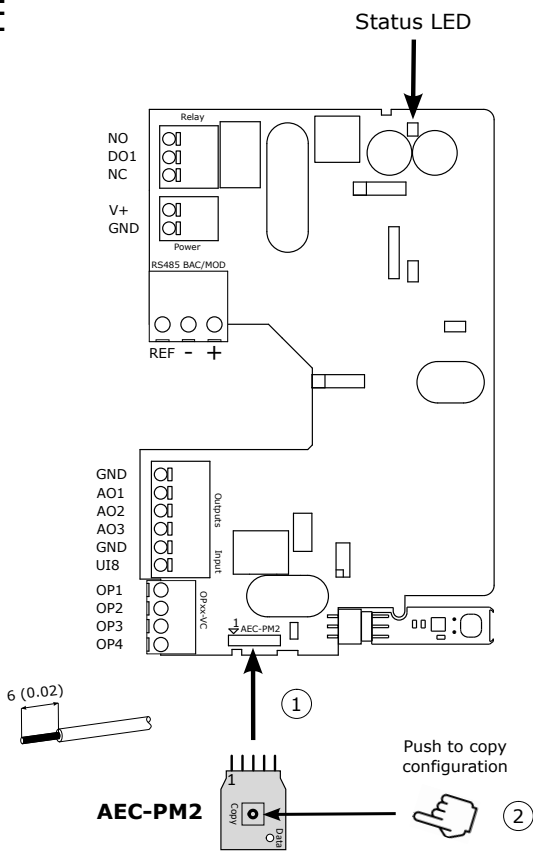


## D 24V AC/DC

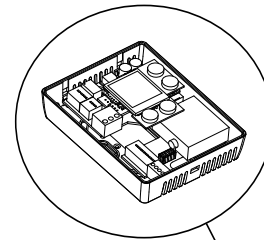


## E



### Analog output signals (default)

Model	AO1	AO2	AO3
SRD2-TH	Temp	RH	-
SRD2-THC	Temp	RH	CO2
SRD2-THQ	Temp	RH	VOC
SRD2-THCQ	Temp	RH	CO2
SRD2-THCQD	Temp	RH	CO2
SRD2-D	PM2.5	PM1.0	PM10



### SRD2: -WIM, -WIB

