

# AEPS-L-24-x-DC

## Power Supply for comfort ventilation systems

### Features

- 85 - 250 V AC power supply
- 24 V DC / 10 or 20 W nominal output power
- Master-Slave or parallel configuration of actuators
- Power indication LED
- RJ12 socket for configuration of actuators
- IP40
- Up to 3 VAV controllers simultaneously connectable.
- Suitable for wall mounting



### Applications

The power supply AEPS-L-24-x-DC provides 10 or 20 W 24 V DC power to VAV controllers, actuators and room controllers or positioning devices.

### VAV applications

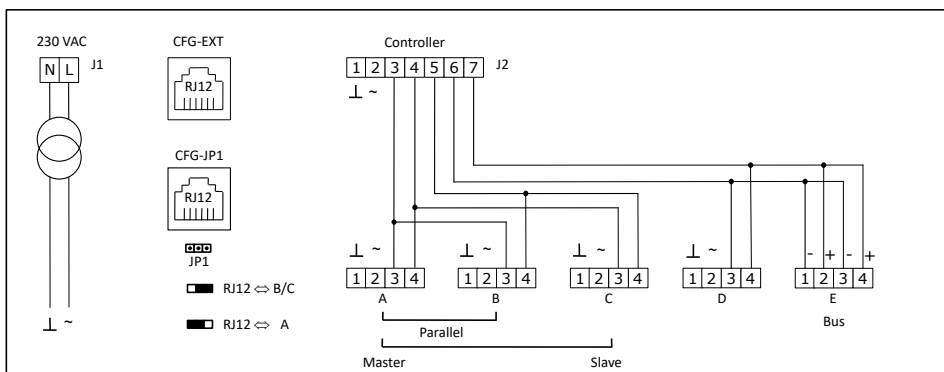
Master-slave / parallel circuits can be done by simply plugging in the actuator plug to the appropriate connector. A RJ12 plug allows connection of the actuators programming tool for configuration of programmable actuators.

The power supply unit has been designed to prevent plugging in B and C simultaneously in order to prevent possible shorting.

### Types and Ordering

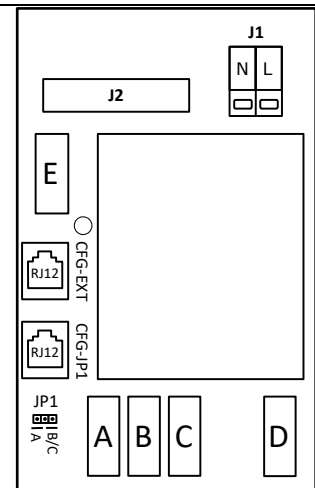
Product name	Product No.	Description
AEPS-L-24-10-DC	40-50-0170	Power supply 85 - 250 V AC to 24 V DC with 10 W output power.
AEPS-L-24-20-DC	40-50-0176	Power supply 85 - 250 V AC to 24 V DC with 20 W output power.

### Wiring diagram



### Connection description

J1	<b>Supply 230 V</b>		
J2	<b>Control unit / control signal</b> 1 = - 24 VDC 2 = + 24 VDC 3 = 2...10 VDC control signal for drive A and B 4 = Feedback signal from A as well as control signal for C 5 = Feedback signal from B or C 6 = Control signal drive D 7 = Feedback signal drive D		
CFG-EXT	<b>Programming device for external A - BC switch</b>		
CFG-JP1	<b>Programming device for internal A - BC switch (JP1)</b> JP1 - A = RJ12 Connected to Actuator A JP1 - B/C = RJ12 Connected to Actuator B or C		
A,B,C,(D)	<b>Actuators</b> - drive, VAV controllers A = Intake B = Exhaust parallel C = Exhaust slave	E	<b>Bus</b> 1 = - 2 = + 3 = - 4 = +



## Technical specification

### Safety advice

The power supply may not be used in connection with devices which can serve health, directly or indirectly or life-saving purposes or may cause the actual danger to persons and property.

<b>Power supply</b>	Operating voltage	85...250 V AC, 50/60 Hz	
	Electrical connection	Terminal push in connectors, wire 2 x 1...2.5 mm <sup>2</sup>	
<b>Outputs</b>	Nominal voltage	24 V DC	
	Rated power	AEPS-L-24-10-DC: 10 W AEPS-L-24-20-DC: 20 W	
	Connections		
	Drive and VAV-controllers Control Configuration	Plug 4 x 0.34...1,5 mm <sup>2</sup> Screw terminals: 7 x 0.34...2.5 mm <sup>2</sup> RJ12	
<b>Environment</b>	Operation	To IEC 721-3-3	
	Climatic conditions	Class 3K5	
	Temperature	-10...+50 °C (14...122 °F)	
	Humidity	< 90% RH non-condensing	
	Transport and Storage	To IEC 721-3-2 and IEC 721-3-1	
	Climatic conditions Temperature Humidity Mechanical conditions	Class 3 K3 and class 1 K3 -25...70 °C (-13...158 °F) < 90% RH non-condensing Class 2M2	
<b>Standards</b>	conform according to 2014/30/EU EMC 2014/35/EU LVD	EN 61000-6-1 / EN 61000-6-3	
	Degree of protection	IP40 (EN 60529)	
	Environment class	II (EN 60730-1)	
	Safety class	II (IEC 60536)	
	Overvoltage category	III (EN 60730-1)	
	<b>General</b>	Material	PC+ABS plastic
		Dimensions (L x B x H)	160 x 75 x 50 mm (6.3 x 3.0 x 2.0 in)
		Weight (incl. package)	285 g (10.0 oz)

### Dimensions mm (inch)

