

TCY-FT-U Intelligent Temperature PI controller

Features

- Temperature PI control for HVAC systems.
- Up to 2 modulating outputs for DC 0...10V with 10mV resolution.
- 1 internal temperature sensor and up to 2 external sensor inputs
- Multiple remote control functions on external input
- Password protected programmable user and control parameters
- Blue backlight

Applications

- Various temperature control applications
- Stand alone VAV control for pressure independent actuators
- Water Only Systems: Radiator, floor heating or chilled ceilings
- Individual room control for offices, residential, hotel rooms, meeting rooms, etc.

General Description

The TCY-FT-U is a stand-alone electronic universal controller with one temperature control loop. It may use up to 2 PI sequences. The TCY-FT-U features 1 internal NTC temperature sensor, up to two external sensors inputs and up to four binary outputs. The configuration has been reduced to a minimum to allow for a simple and off the shelf usage. For more advanced features and current in- and outputs the TCI product range is recommended. The TCY-FT-U can be configured using the standard operation terminal. No special tool or software is required.

TCY-FT2-U	Housing:	U = Vertical (2' x 4") housing, Standard is square housing
	Function:	2 = 2-pipe, 4 = 4-pipe
	Input:	T = Temperature
	Output:	F = 3-point, M = Modulating, B = Binary
	Series Indication	TCY

Item Name	Item code	Variant	Features
TCY-FT2-U-W1	40-10 0068-1	Cooling only	Compact PI controller with: 2 TI, 1 AO
TCY-FT2-U-W2	40-10 0068-2	Heating only	
TCY-FT2-U	40-10 0068	2-Pipe system	
TCY-FT4-U	40-10 0072	4-Pipe system	1 TI, 2 AO

Accessories		
S-Tn10-2	40-20 0001	Flying lead sensor with 2 m cable
SD-Tn10-12-2	40-20 0002	Flying lead duct sensor 12cm immersion depth, 2m cable
SD-Tn10-20-2	40-20 0003	Flying lead duct sensor 20cm immersion depth, 2m cable
SDB-Tn10-12	40-20 0051	Duct sensor with housing, 12cm immersion depth
SDB-Tn10-20	40-20 0004	Duct sensor with housing, 20cm immersion depth
SOA-Tn10	40-20 0006	Outdoor sensor

Selection of actuators and sensors

Use only our approved NTC sensors to achieve maximum accuracy. Recommended is SDB-Tn10-20 as Duct sensor, SRA-Tn10 as Room sensor and SDB-Tn10-20 with AMI-S10 as immersion sensor.

3-point Actuators:

Actuators with constant running time are recommended. Observe power limits. Do not use actuators with power consumption > 6VA. Adjust running time in SV. Default running time is 90s for fully open / close running time.

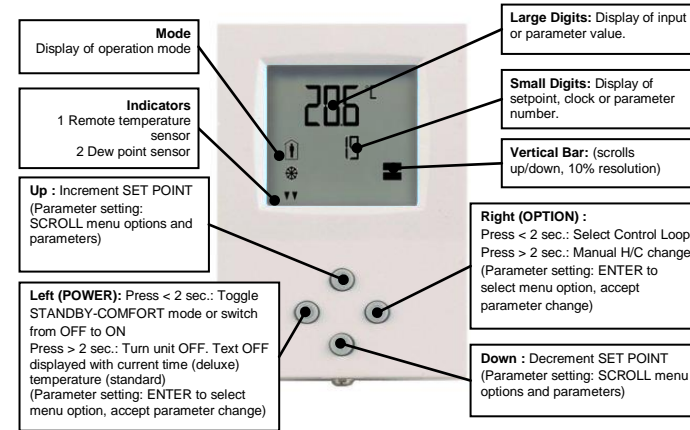
Mounting location

- On an easy accessible interior wall, approx. 1.5 m (4.5') above the floor in an area of average temperature.
- Avoid exposure to direct sunlight or other heat sources, e.g. the area above radiators and heat emitting electrical equipment.
- Avoid locations behind doors, outside walls and below or above air discharge grills and diffusers.
- Location of mounting is less critical if external temperature sensors are used

Installation

1. Connect the wires to be connected to the terminals of the power case according to wiring diagram
2. Install the mounting plate to the flush mounting box. Make sure that the nipple with the front holding screw is facing the ground. Make sure the mounting screw heads do not stand out more than 5 mm (0.2") off the surface of the mounting plate.
3. Ensure that the jumpers are set correctly.
4. Slide the two latches located on the top of the front part into the hooks at the upper side of the mounting plate.
5. Carefully lower the front part until the interconnector reaches the mounting-plate. Continue pressing in a gentle way until the front part is fully connected. While inserting the connectors, a slight resistance can be felt. This is normal. Do not use excessive force!
6. With a Philips-type screw driver of size #2, carefully tighten the front holding screw to secure the front part to the mounting plate. This screw is located on the front lower side of the unit. There is no need to tighten the screw too much.

Display and Operation



Power Failure

Upon power-interruption, all parameters and setpoints are memorized in non-volatile memory and therefore do not have to be re-entered again.

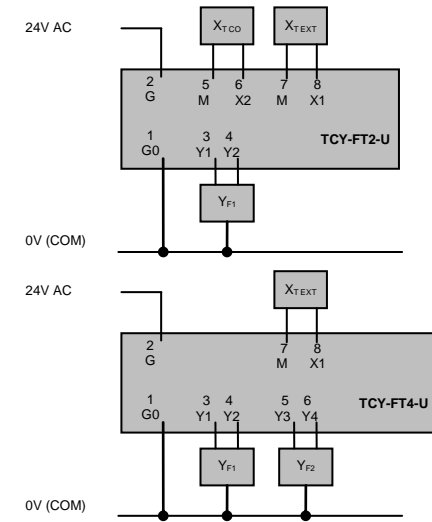
Error messages

Error1: The connection to the temperature sensor may be interrupted or the temperature sensor is damaged. The output is switched off. Verify parameter settings and wiring.

Technical Specification

Power Supply	Operating Voltage	24 V AC ± 10 % , 50...60 Hz, Class 2, 48VA max
	Power Consumption	Max. 1.5 VA
Signal inputs	Temperature Input	0...50 °C (32...122 °F)
	Range Accuracy	0.5 K
Signal outputs	TRIAC Outputs	24 VAC, 250mA max
	Switching power	Do not use actuators with power consumption > 6VA
Environment	Operation Climatic Conditions	To IEC 721-3-3 class 3 K5
	Temperature Humidity	0...50 °C (32...122 °F) <95 % r.H. non-condensing
Standards	Transport & Storage Climatic Conditions	To IEC 721-3-2 and IEC 721-3-1 class 3 K3 and class 1 K3
	Temperature Humidity Mechanical Conditions	-25...70 °C (-13...158 °F) <95 % r.H. non-condensing class 2MT2
Housing	CE	conform according to EMC Directive 2004/108/EU Low Voltage Directive 2006/95/EU EN 61 000-6-1/ EN 61 000-6-3
	Product standards	EN 60 730 -1
	Automatic electrical controls for household and similar use	EN 60 730 -2 - 9
	Special requirement on temperature dependent controls	
General	Degree of Protection	IP30 to EN 60529
	Safety Class	III (IEC 60536)
Housing	Cover, back part	Fire proof ABS plastic (UL94 class V-0)
	Mounting Plate	Galvanized Steel
General	Dimensions (H x W x D)	Front part: 112 x 73 x 15 mm (4.4" x 2.9" x 0.6") Power case: ø 58 x 32 mm (ø 2.3" x 1.3")
	Weight (including package)	270 g (9.5 oz)

Wiring Diagram



Description:

G0 0V Power supply: 0VAC internally connected to signal common
G 24V Power supply: 24VAC
M 0V Signal common: Common 0 potential for analog inputs and analog outputs.
X1 RT External temperature input: NTC 10kΩ @ 25°C (77°F)

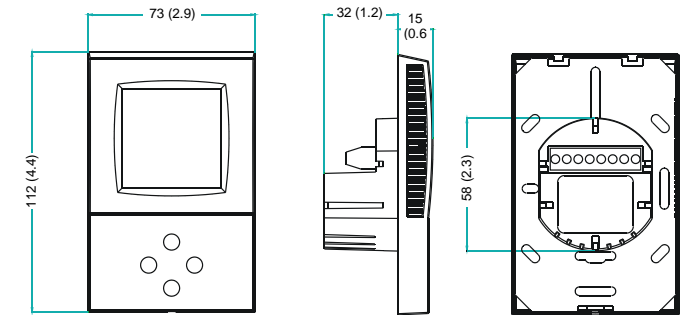
TCY-FT2-U:

X2 CO Change over input: NTC 10kΩ @ 25°C (77°F)
Y1 DO1 Binary output: Valve open
Y2 DO2 Binary output: Valve close

TCY-FT4-U:

Y1 DO1 Binary output: Heating valve open
Y2 DO2 Binary output: Heating valve close
Y3 DO3 Binary output: Cooling valve open
Y4 DO4 Binary output: Cooling valve close

Dimensions [mm] (in)



Configuration parameters for firmware version 1.3

The TCY-FT-U is preset to work for most applications. For special requirements it can be fine tuned to work ideal with a simple parameter setup routine. The parameters can be changed on the unit without the need of additional equipment.

Identifying the firmware version

The parameters and functionality of controller depend on its firmware version and revision. It is therefore important to use a matching product version and parameter set. The Firmware version and revision version can be found when pressing simultaneously the ▲ and ▼ keys during several seconds. On the upper 7 segment display, the firmware version can be found, on the lower 7 segment display the current revision index (or "sub-version").

Setting of user parameters

The TCY-FT-U can be adapted to fit perfectly into your application. The control operation is defined by parameters. The parameters are set during operation by using the control buttons. The parameters may only be accessed by entering a code. There are two levels of parameters: User operation parameters for access control settings, and Expert parameters for control functions and unit setup. The codes for user levels and expert levels are different. Only control experts should be given the control parameter code.

The parameters can be changed as follows:

- Press UP and DOWN button simultaneously for three seconds. The display shows the software version in the large digits and the product code in the small digits.
- Pressing the OPTION button will indicate CODE on the small digits and 000 on the large digits.
- The code for accessing the user parameters is 009
- Select this using UP or DOWN buttons.
- Press OPTION button after selecting the correct code.
- Once logged in, the parameter is displayed immediately.
- Select the parameters with the UP/DOWN buttons. Change a parameter by pressing the OPTION button. Three triangles will show up on the lower right and indicate that the parameter may be modified now. Use UP or DOWN buttons to adjust the value.
- After you are done, press OPTION or POWER in order to return to the parameter selection level.

Press the POWER button again so as to leave the menu. The unit will return to normal operation if no button is pressed for more than 5 minutes.

User Parameters (Password 09)

Parameter	Description	Range	Default
UP 00	Enable access to operation modes	ON, OFF	ON
UP 01	Enable access to set points	ON, OFF	ON
UP 02	Not used	ON, OFF	OFF
UP 03	Enable manual change of Heating/Cooling Mode. No influence on TCY-FT2-U-W1 (cooling only) or TCY-FT2-U-W2 (heating only)	ON, OFF	ON
UP 04	Not used	ON, OFF	OFF
UP 05	State after power failure: 0 = off, 1 = on, 2 = state before power failure	0, 1, 2	2
UP 06	Enable Economy (unoccupied) Mode. Shift the setpoint to a lower temperature in winter or higher temperature in summer in order to save energy. May be activated through the POWER button, or with the external input (typically for key card switches in hotel rooms or motion detectors for meeting rooms.)	ON, OFF	ON
UP 07	ON = Fahrenheit, OFF = Celsius	ON, OFF	OFF (Celsius)
UP 08	Calibrate internal temperature sensor -10° to +10° in 0.1° steps. (Sensor is factory calibrated, use this feature for field adjustment only as required.)	-10...10	0
UP 09	Enable Frost Protection. Activates the output independent of operation mode when the control temperature drops below 5°C or 41°F. The controller returns to normal operation when the temperature increases above 10°C or 50°F.	ON, OFF	TCY-FT2-W1: OFF TCY-FT2-W2: ON TCY-FT2: ON TCY-FT4: ON

Control Parameters (Access Code: 241)

Warning! Only experts should change these settings! See user parameters for login procedure.

Parameter	Description	Range	Default
CP 00	Minimum setpoint limit in Heating mode	0...60°C (32..160°F)	16°C (61°F)
CP 01	Maximum setpoint limit in Heating mode	0...60°C (32..160°F)	30°C (86°F)
CP 02	Minimum setpoint limit in Cooling mode	0...60°C (32..160°F)	18°C (65°F)
CP 03	Maximum setpoint limit in Cooling mode	0...60°C (32..160°F)	30°C (86°F)
Controls configuration			
CP 04	Economy (unoccupied) Mode temperature shift: The comfort (occupied) setpoint is shifted by the value set with parameter. If heating is active the comfort setpoint will be decreased, if cooling is active, the setpoint will be increased. (Enable with UP06.)	0...100°C (200°F)	5.0°C (10°F)
CP 05	Dead Zone Span (TCY-FT4-U only): The Dead Zone Span lies between the heating and the cooling setpoint. The output is off while the temperature is within the dead zone span. A negative dead zone is not possible.	0...100°C (200°F)	1.0°C (2°F)
CP 06	Heat/Cool Changeover Delay (TCY-FT4-U only): A demand to switch between heating and cooling must persist for the length of time set with this parameter before the controller switches. Prevents activation of a sequence during a short-term change in temperature in order to protect equipment (with control overshoot for example)	0...255 min	5 min
CP 07	P-band heating X _{PH}	0...100°C (200°F)	2.0°C (4.0°F)
CP 08	P-band cooling X _{PC}	0...100°C (200°F)	2.0°C (4.0°F)
CP 09	K _{IN} , Integral gain heating, in 0.1 steps, (TI is fixed to 4s) 0 disables ID part low value = slow reaction high value = fast reaction	0...25.5	0.0
CP 10	K _{IC} , Integral gain cooling, in 0.1 steps, 0 disables I part	0...25.5	0.0
CP 11	Configuration of operation mode 0 = TCY-FT2-U-W1 = Cooling mode Y _{C1} 1 = TCY-FT2-U-W2 = Heating mode: Y _{H1} 2 = TCY-FT2-U = Heating and Cooling (2 pipe system) 3 = TCY-FT4-U = Heating and Cooling (4 pipe system)	TCY-FT2: 0 - 2 TCY-FT4: 0 - 3	TCY-FT2-W1: 0 TCY-FT2-W2: 1 TCY-FT2: 2 TCY-FT4: 3

Output configuration

Parameter	Description	Range	Default
CP 12	Manual Override Mode: Allows manual control of the floating outputs for using the controller as positioner or during commissioning.	ON, OFF	OFF
CP 13	Running time FO1 (TCY-FT4 = heating output) The total time it takes for the actuator to run from fully open to fully closed or from fully closed to fully open. Setting this value to 0, converts the output to on/off control. Open output will activate if there is demand; close output will stay active if there is no demand. The p-band functions as hysteresis.	0-255s	90s
CP 14	Minimum running time FO1 (TCY-FT4-U = heating output) The minimum time the output runs once it starts. This setting prevents frequent switches with very short running times.	0-255s	3s
CP 15	Running time FO2 (TCY-FT4-U = cooling output) The total time it takes for the actuator to run from fully open to fully closed or from fully closed to fully open. Setting this value to 0, converts the output to on/off control. Open output will activate if there is demand; close output will stay active if there is no demand. The p-band functions as hysteresis.	0-255s	90s
CP 16	Minimum running time FO2 (TCY-FT4-U = cooling output) The minimum time the output runs once it starts. This setting prevents frequent switches with very short running times.	0-255s	3s
CP 17	Maximum Output in Economy (unoccupied) Mode Reduces the load on the system when is the space is unoccupied.	0 - 100 %	50%

Input configuration

Parameter	Description	Range	Default
CP 18	Configuration of remote control input (X1) 0 = Control input if temperature sensor connected 1 = Occupation sensor – Comfort / Standby 2 = Remote enable – Comfort / OFF 3 = Keycard function: fixed setpoint	0...3	0
CP 19	Activation delay (Minutes) = the time the binary input needs to be open before standby/off mode is activated.	0...255 min	5
CP 20	Fixed setpoint for key card function in heating mode	0...60°C(32..160°F)	17°C (63°F)
CP 21	Fixed setpoint for key card function in cooling mode	0...60°C(32..160°F)	27°C (81°F)
CP 22	For TCY-FT2-U only: Enable Auto changeover	ON, OFF	OFF
CP 23	For TCY-FT2-U only: Auto-changeover limit heating	0...60°C(32..160°F)	30°C (86°F)
CP 24	For TCY-FT2-U only: Auto changeover limit cooling	0...60°C(32..160°F)	15°C (59°F)

➔ Configuring the function of the external input X1

The external input X1 may be configured for several functions:

CP18 = 0	External control input	The control input is provided by the external input. The internal input will not be used.
CP18 = 1	Switching Economy and Comfort modes	Economy (unoccupied) and Comfort (occupied) modes are controlled through an external contact by connecting X1 through a dry contact to signal common. This function may be used together with key card switches for hotels or motion detectors for offices.
CP18 = 2	Switching Energy Hold OFF and Comfort modes	Opening the external temperature input will force the unit into the OFF operation mode. The operation mode cannot be overridden by using the terminal. Connecting the binary input to GND returns control of the operation mode to the terminal. This function may be used as window contact to prevent loss of energy.
CP18 = 3	Key card function	As with CP18 = 1, the key card function switches economy (unoccupied) and comfort (occupied) modes. Instead of using the setpoint shift, the setpoints in unoccupied mode are defined by parameter CP20 and CP21.
CP18 = 4	Output enable	This may be used for a dew point sensor input. Output will switch off if contact opens.

➔ Configuring auto changeover input X2 (TCY-FT2-U only):

The auto changeover function automatically changes heating and cooling mode based on supply media temperature or outdoor temperature. The difference between the two is in the values of the changeover limits CP23 and CP24. See table below for recommended settings.

Heating and cooling may be as well changed by an open contact switched to signal ground. Note: all signal ground levels of involved controllers must be the same in case more than one controller is switched.

➔ Recommended settings for CP23 and CP24:

Change over mode	Relation CP23 to CP24	Example CP23	Example: CP24
Supply media	CP23 > CP24	25°C (77F)	18°C (64F)
Outside temperature	CP23 < CP24	15°C (59F)	25°C (77F)
Dry contact: Heating if contact closed	CP23 > CP24	25°C (77F)	15°C (59F)
Dry contact: Cooling if contact closed	CP23 < CP24	15°C (59F)	25°C (77F)