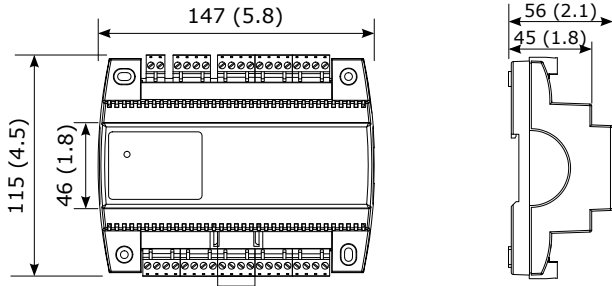


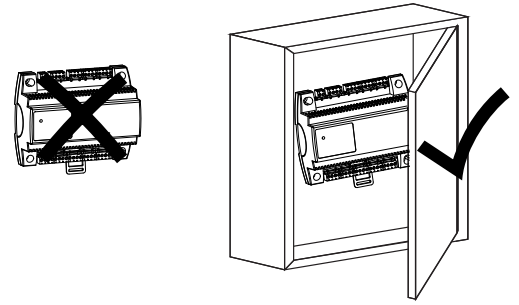
A mm (inch)



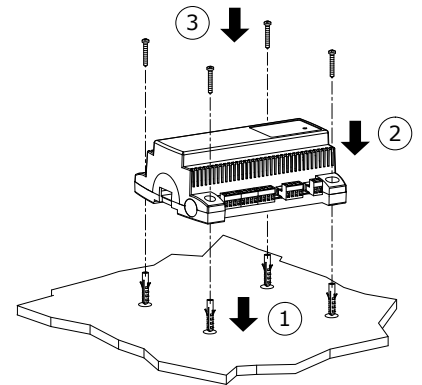
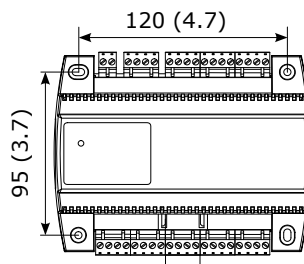
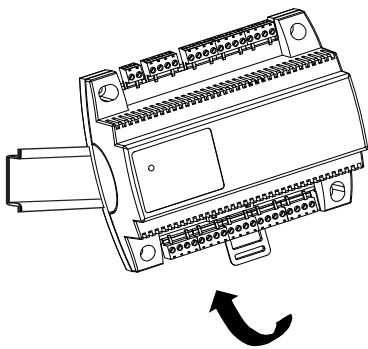
B



Cabinet mounting

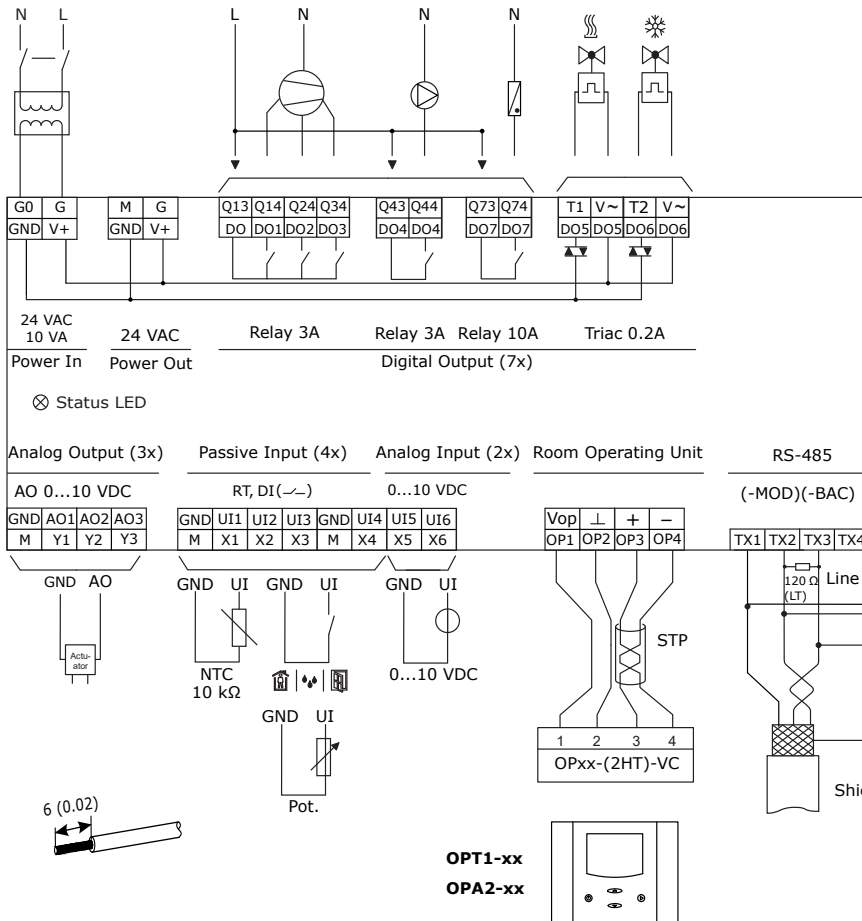


C



D 1 24 VAC

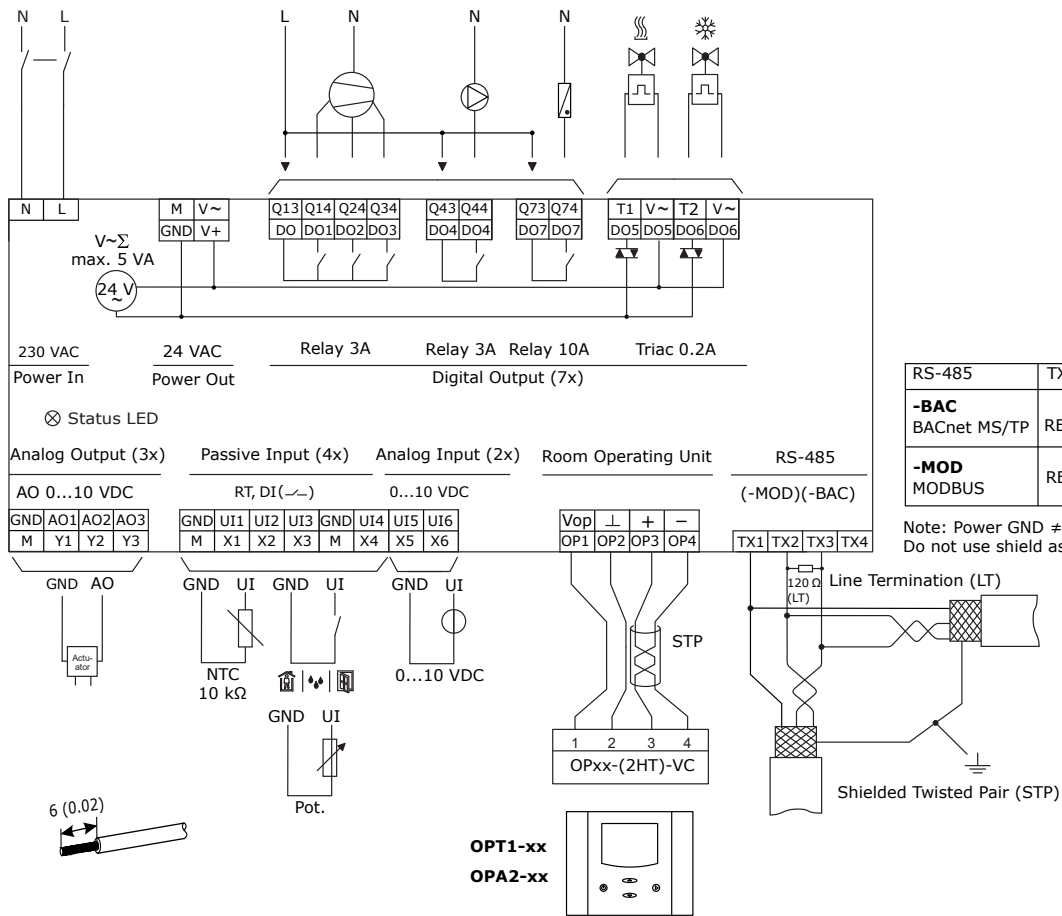
! G0 = M = GND



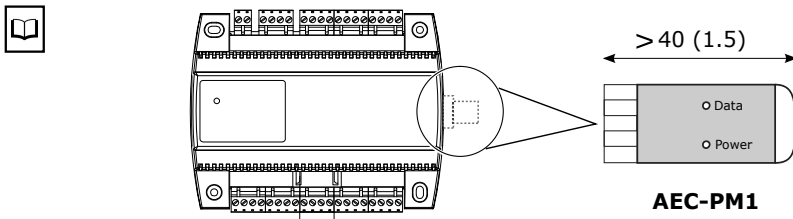
RS-485	TX1	TX2	TX3	TX4
-BAC BACnet MS/TP	REF	-	+	
-MOD MODBUS	REF	- (D0)	+ (D1)	

Note: Power GND ≠ TX REF
Do not use shield as REF

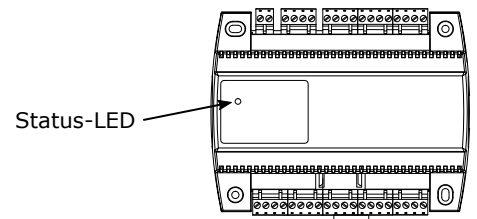
D 2 230 VAC ⚠ M = GND



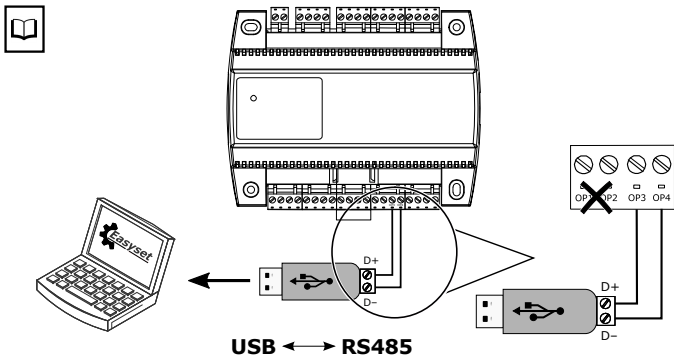
AEC-PM1



TCX2-24273



Easysset



Master-Slave (max. 8x TCX2, 1x OPxx-VC)

