

## AEPS-230-24-10 Power Supply for comfort ventilation systems

### Features

- 230 V power supply
- 24 VAC / 10VA nominal output voltage
- Master-Slave or parallel configuration of actuators
- Power indication LED
- 2 RJ12 sockets for configuration of actuators
- IP40
- Up to 3 VAV controllers can be connected simultaneously
- Suitable for wall mounting



### Applications

The power supply AEPS-230-24-10 provides 10 VA 24 VAC power to VAV controllers, actuators and room controllers or positioning devices.

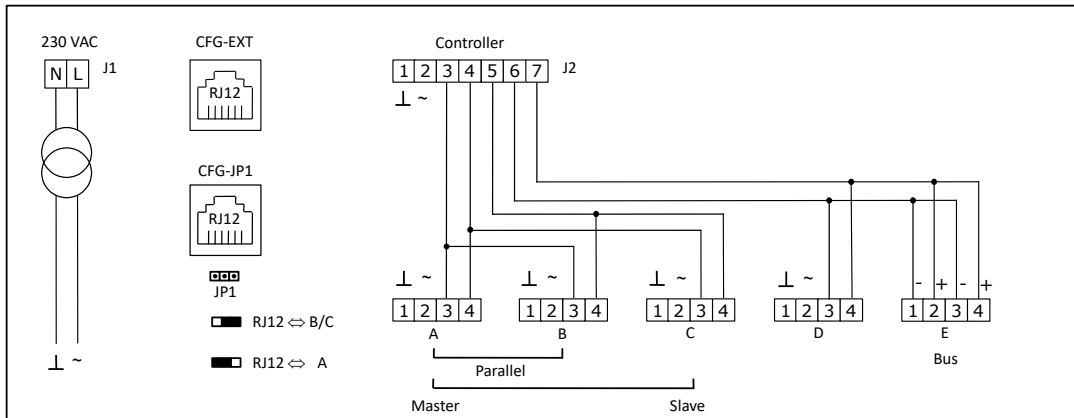
Master-slave / parallel circuits can be done by simply plugging in the actuator plug to the appropriate connector.

Two RJ12 sockets allow easy connection of a programming tool for VAV actuators. With CFG-JP1 supply or return air actuator is selectable with JP1. CFG-EXT uses an external switch (AEC-SW1-RJ12) to select supply or return air actuators. The power supply unit has been designed so that B and C cannot be plugged in simultaneously, to prevent possible short-circuiting.

### Types and Ordering

Product name	Product No.	Description
AEPS-230-24-10	40-50 0019	Power supply 230 V to 24 V with 10 VA output for VAV controllers and actuators
AEC-SW1-RJ12	40-50 0171	Interface for switching between supply and return air actuators.

### Wiring diagram



### Connection description


J1	<b>Supply 230 V</b>	
J2	<b>Control unit / control signal</b> 1 = 24 VAC ⊥ 2 = 24 VAC ~ 3 = 2...10 VDC control signal for drives A and B. 4 = Feedback signal from A, as well as control signal for C. 5 = Feedback signal from B or C. 6 = Control signal for drive D 7 = Feedback signal for drive D	
CFG-EXT	<b>Programming device for external A - BC switch</b>	
CFG-JP1	<b>Programming device for internal A - BC switch (JP1)</b> JP1 - A = RJ12 connected to Actuator A JP1 - B/C = RJ12 connected to Actuator B or C	
A,B,C,(D)	<b>Actuators</b> - VAV controllers	E <b>Bus</b> 1 = - 2 = + 3 = - 4 = +
A = Supply air B = Exhaust parallel C = Exhaust slave		

**Application variants**

Function	Plug A	Plug B	Plug C	Plug D	Plug E
Master / Slave	Master-actuator	-	Slave-actuator	-	-
Parallel	Actuator 1	Actuator 2	-	-	-

**Technical specification**
**Safety advice**

The power supply may not be used with devices that serve, directly or indirectly, health-related or life-saving purposes or that may present a danger to persons or property.

<b>Power supply</b>	Operating voltage	210...250 VAC, 50/60 Hz
	Max. power	10 VA
	Electrical connection	Terminal connectors, wire 2x 1...2.5 mm <sup>2</sup>
<b>Outputs</b>	Nominal voltage	20...27 VAC
	Connections Drive and VAV-controllers Control Configuration	Plug 4 x 0.34...1,5 mm <sup>2</sup> Screw terminals: 7 x 0.34...2.5 mm <sup>2</sup> RJ12
<b>Environment</b>	Operation Climatic conditions Temperature Humidity	To IEC 721-3-3 Class 3K5 -10...+40 °C (14...104 °F) < 90% RH non-condensing
	Transport and Storage Climatic conditions Temperature Humidity Mechanical conditions	To IEC 721-3-2 and IEC 721-3-1 Class 3 K3 and class 1 K3 -25...70 °C (-13...158 °F) < 90% RH, non-condensing Class 2M2
	<b>Standards</b>	 conform according to 2014/30/EU EMC 2014/35/EU LVD EN 61000-6-1 / EN 61000-6-3
	Degree of protection	IP40 (EN 60529)
	Environmental class	II (EN 60730-1)
	Safety class	II (IEC 60536)
	Overvoltage category	III (EN 60730-1)
<b>General</b>	Material	PC+ABS plastic
	Dimensions (L x B x H)	160 x 75 x 50 mm (6.3 x 3.0 x 2.0 in)
	Weight (incl. package)	550 g (19.4 oz)

**Dimensions, mm (inch)**
