

**OPA2-VC
Communicating Operation terminal**

Features

- Display and change of operation state and set points
- Display input values according to real values not voltage signals
- Display and change of configuration parameters
- Integrated temperature sensor (-T)
- Surface mounting

Applications

- Configuration and operation of TCX2 controllers
- Remote supervision (RS485)



General Description

The OPA2-VC is a remote display and operation terminal for TCX2 series controllers.

Ordering

Item Name	Item Code	Passive inputs	Humidity sensor	Description/Option
OPA2-VC	40-50 0007			Operation terminal for TCX2 controller with internal temperature sensor

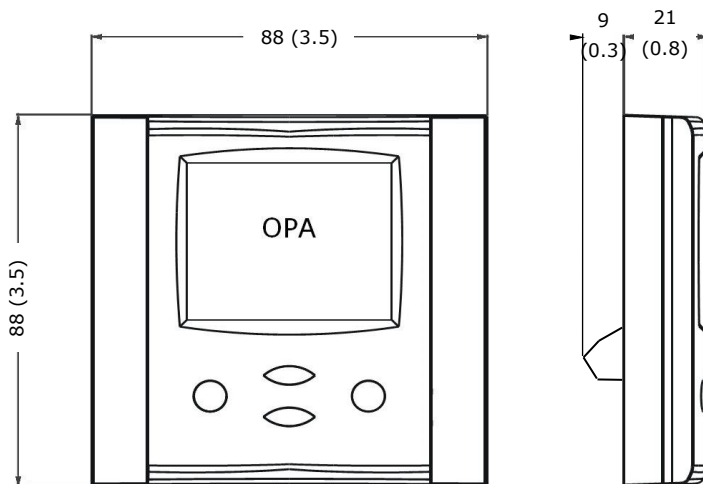
Mounting location

- Install the operation terminal on an easy accessible interior wall, approx. 1.5 m above the floor in an area of average temperature.
- Avoid direct sunlight or other heat sources, e.g. the area above radiators and heat emitting equipment.
- Avoid locations behind doors, outside walls and below or above air discharge grills and diffusers.
- Location of mounting is less critical if external temperature sensors are used.

Installation

See installation sheet no. 70-000113C (www.vectorcontrols.com).

Dimensions



Important notice and safety advice

This device is for use as operating controls. It is not a safety device! Where a device failure endangers human life and/or property, it is the responsibility of the client, installer and system designer to add additional safety devices to prevent a system failure caused by such a device failure. Ignoring specifications and local regulations may cause equipment damage and endangers life and property. Tampering with the device and misapplication will void warranty.

Technical Specification

Power Supply	Operating voltage	10-30VDC, 10-26V AC
	Power consumption	Max 0.5 VA
	Electrical Connection	Terminal Connectors, wire 0.34...2.5 mm ² (AWG 24...12)
Temperature Input	Type	NTC 10kΩ @ 25°C (77°F)
	Range	0...50 °C (32...122 °F)
	Accuracy	0.2 K
Communication	Communication Type Protocol	RS485, Peer to peer, VCPP: Vector Controls Proprietary Protocol
	Cabling	Shielded Twisted Pair (STP), CAT5 or CAT6.
	Impedance	balanced 100 to 120 ohm
	Nominal capacitance Nominal velocity	50 pF/m 16pF/ft or lower 65% or higher
Environment	Operation Climatic Conditions	To IEC 721-3-3 class 3 K5
	Temperature	0...50 °C (32...122 °F)
	Humidity	<95 % r.H. non-condensing
	Transport & Storage Climatic Conditions	To IEC 721-3-2 and IEC 721-3-1 class 3 K3 and class 1 K3
	Temperature	-25...70 °C (-13...158 °F)
	Humidity Mechanical Conditions	<95 % r.H. non-condensing class 2M2
Standards	Pollution Class	Normal acc. to EN 60 730
	Degree of Protection	IP30 to EN 60 529
	Safety Class	III
General	OPA Dimensions (H x W x D)	88 x 88 x 30 mm (3.5" x 3.5" x 1.1")
	Housing Material	Fire proof ABS plastic
	Mounting Plate	Zinc coated steel
	Standard Color	White RAL 9003
	Weight (including package)	185 g (6.5 oz)

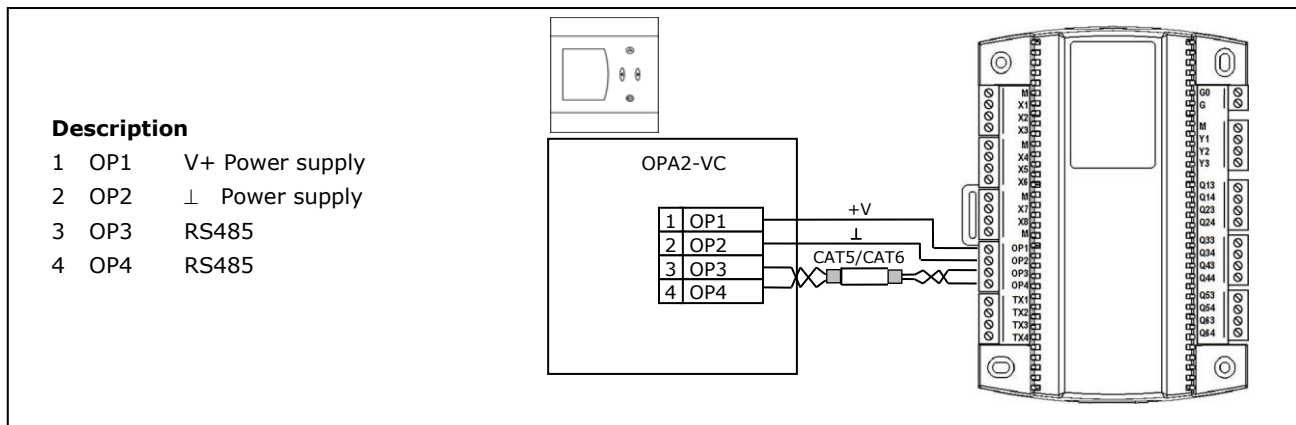
Product testing and certification



Declaration of conformity

Information about the conformity of our products can be found on our website www.vectorcontrols.com on the corresponding product page under "Downloads"

Connection Diagram

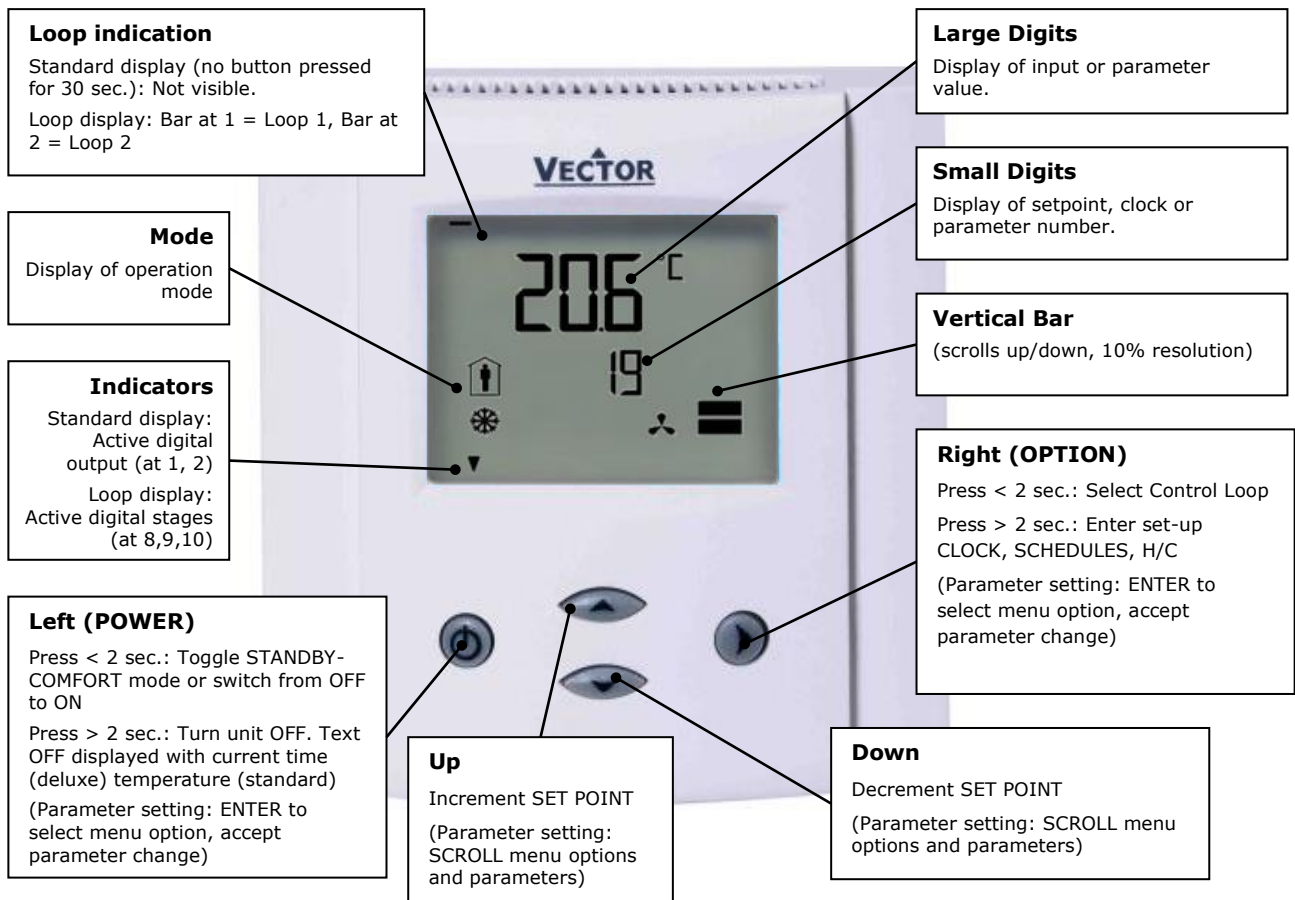


Installation

See installation sheet no:

OPA2-VC 70-000113 (www.vectorcontrols.com)

Display and Operation



Operation modes		Control symbols	
	Occupied: (Comfort) All control functions operating per set points.		Heating (reverse) active
	Unoccupied: (Standby, Economy) If enabled, alternative setpoints are used with the intention to reduce energy consumption.		Cooling (direct) active
OFF	OFF: (Energy Hold Off, EHO) Normal control functions are inactive, inputs are monitored for alarms.		Schedule set
			Manual override, delay on enable function
			Fan active

Idle display

- The idle display is activated when no key has been pressed for 30 seconds.
- The contents of the idle display are selectable through parameters UP08 to UP14.
- Setting UP08 to OFF will disable idle display. Last active control loop or manual output will remain displayed.

Display of control loop

- Active when changing set points. Large digits show input value. Small digits show set point. Horizontal bars top left show which loop is being displayed.

Operation manual

This operation terminal works with the latest generation X2 control devices. Detailed operating instructions for all devices equipped with this operating system can be downloaded here:

<http://www.vectorcontrols.com/products/x2>

Also available are programming instructions for technicians and an application database.

**Smart Sensors and Controls
Made Easy!**

Quality - Innovation – Partnership

Vector Controls GmbH
Switzerland

info@vectorcontrols.com
www.vectorcontrols.com

