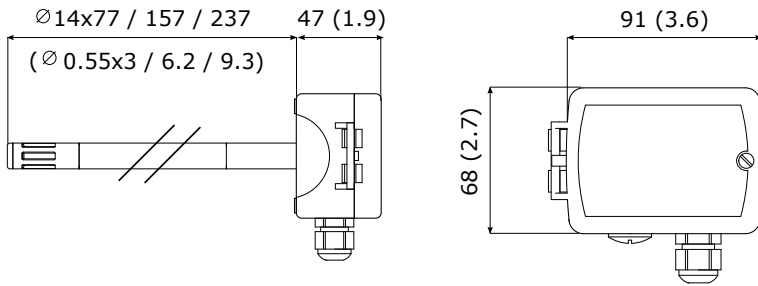
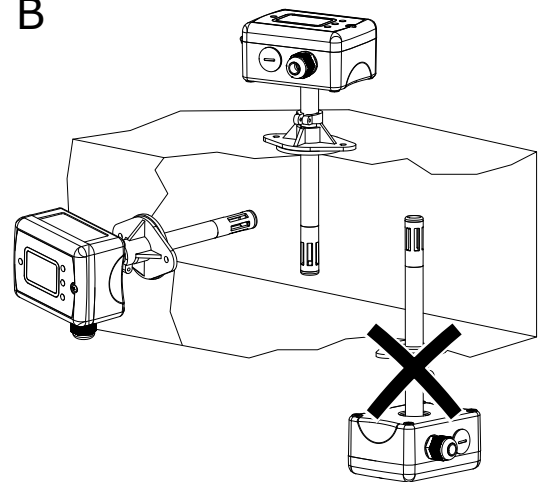


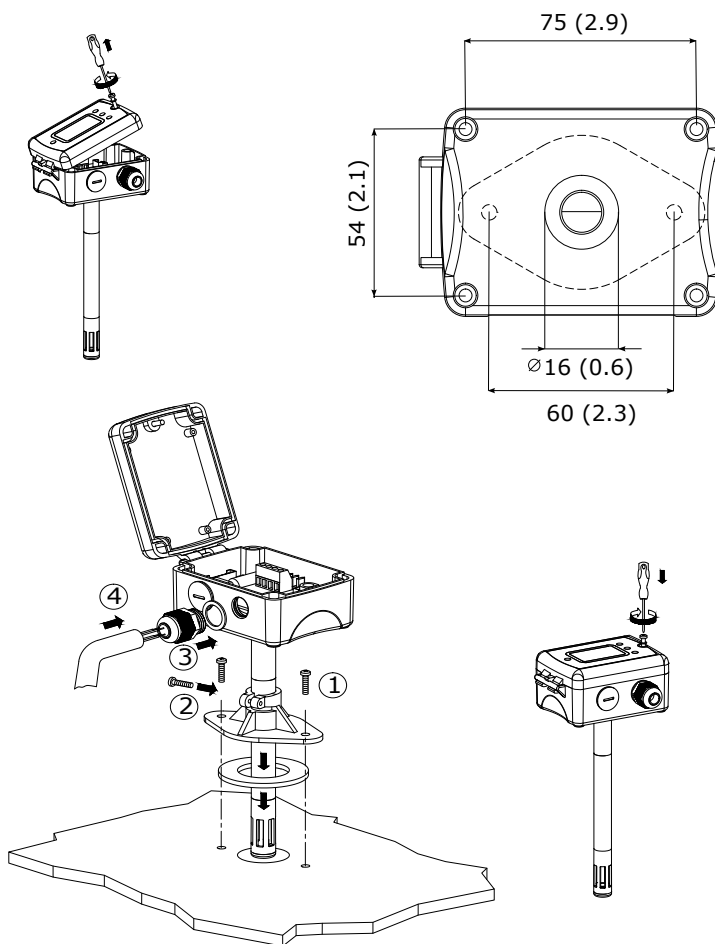
A mm (inch)



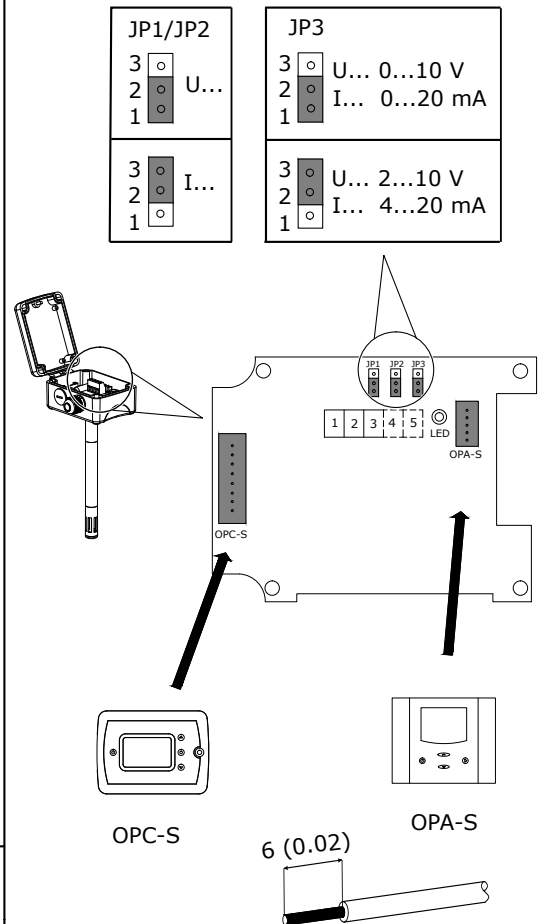
B



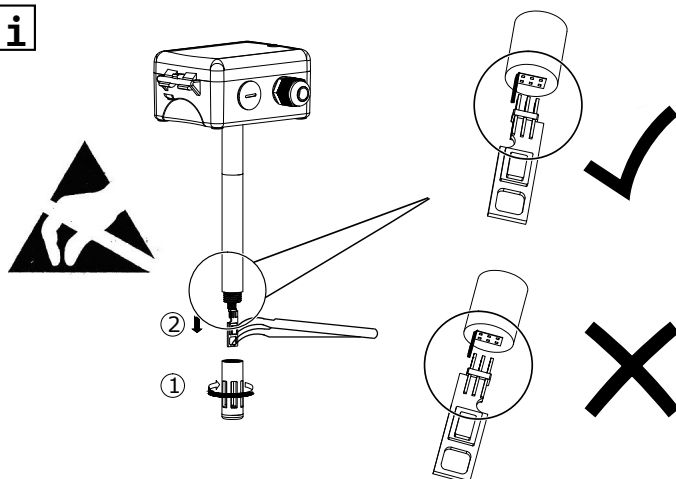
C



D



i

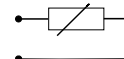


G: AC 24 V 50-60 Hz, DC +24 V $\pm 10\%$

G0: AC 0 V, DC -24 V

U... DC 0(2)...10 V

I... DC 0(4)...20 mA



www.vectorcontrols.com

