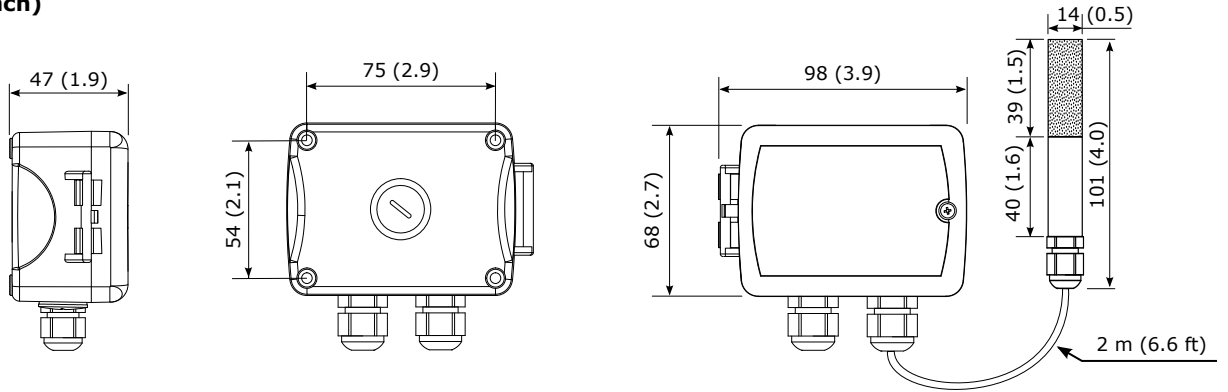
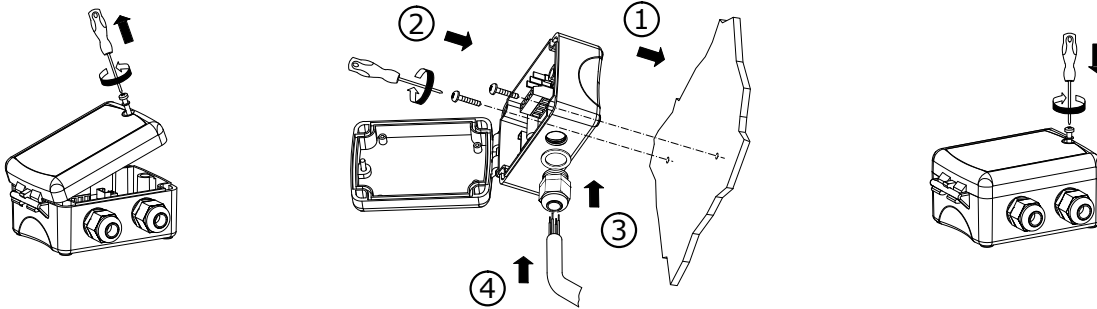


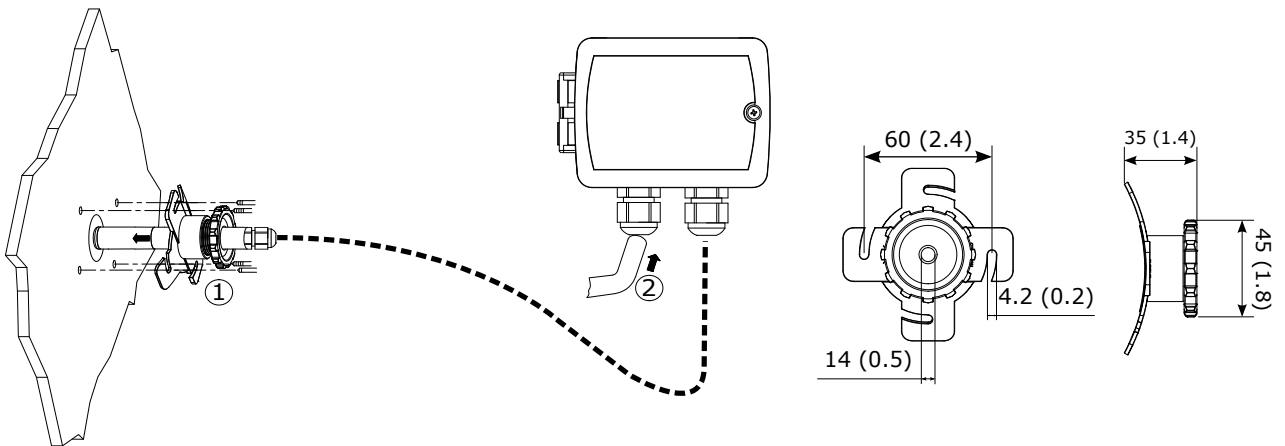
### A mm (inch)



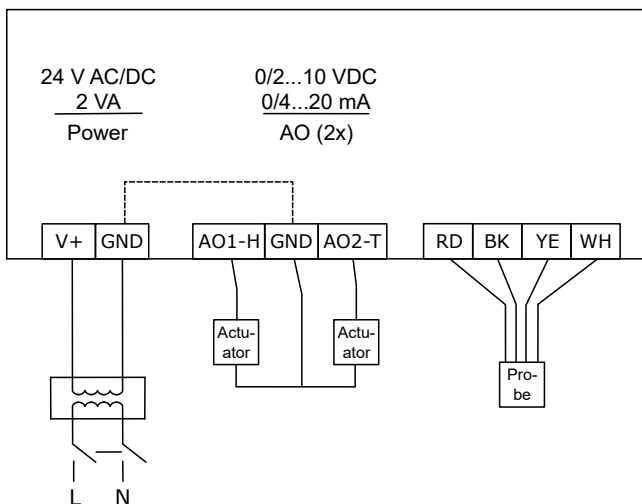
### B



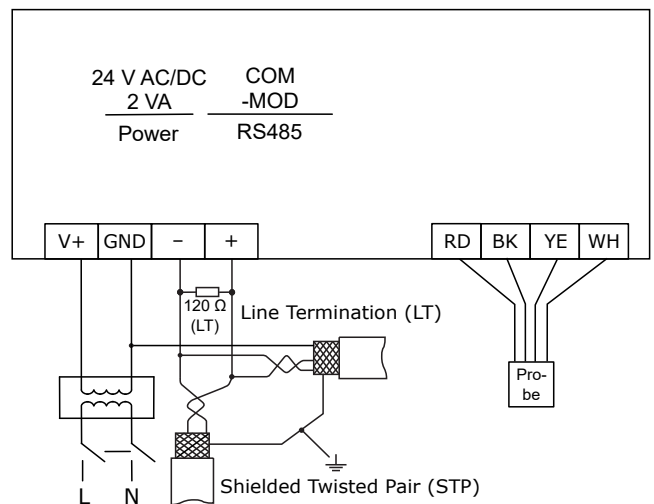
### C



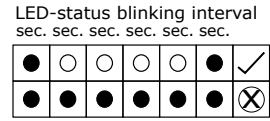
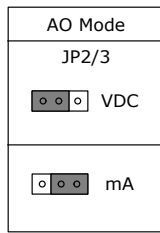
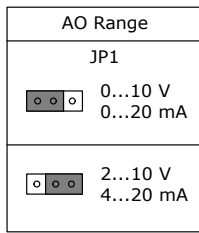
### D1 24V AC/DC $\cong$ H1T1 type



### D2 24V AC/DC $\cong$ HT-MOD type

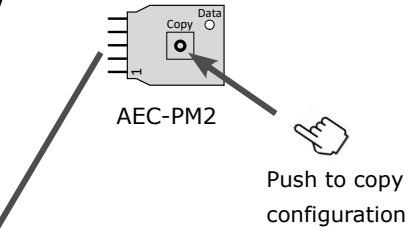
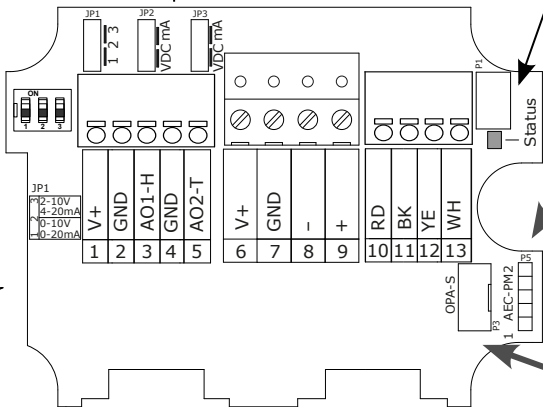
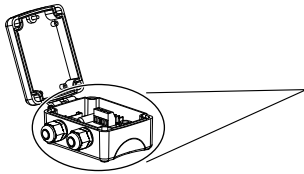


E

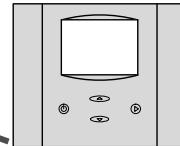


Abnormal state:  
1x blink: rH reconditioning  
2x blink: Temperature sensor error  
3x blink: Humidity sensor error

Temperature range selection



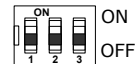
OPA-S / OPU-S



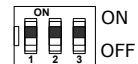
1	V+	24 VAC ±10% 50-60 Hz, 15-34 VDC
2	GND	0 VAC, 0 VDC - common ground
3	AO1	0(2)...10 VDC, 0(4)...20 mA
4	GND	AO Ground - common ground
5	AO2	0(2)...10 VDC, 0(4)...20 mA
6	V+	24 VAC ±10% 50-60 Hz, 15-34 VDC
7	GND	Modbus Ground (RS485) - common ground
8	-	Modbus data signal (RS485)
9	+	Modbus data signal (RS485)
10	RD	Red remote probe connection
11	BK	Black remote probe connection
12	YE	Yellow remote probe connection
13	WH	White remote probe connection

**Temperature range selection**

Number	Position DIP switch 1	Position DIP switch 2	Position DIP switch 3	Temperature range [°C]	Temperature range [°F]
0 <sup>1)</sup> =	OFF	OFF	OFF	-40...60 °C	-40...140 °F
1 =	ON	OFF	OFF	0...50 °C	32...122 °F
2 =	OFF	ON	OFF	-35...35 °C	-31...95 °F
3 =	ON	ON	OFF	n.a.	n.a.
4 =	OFF	OFF	ON	n.a.	n.a.
5 =	ON	OFF	ON	n.a.	n.a.
6 =	OFF	ON	ON	n.a.	n.a.
7 =	ON	ON	ON	n.a.	n.a.



All DIP switches OFF



All DIP switches ON

1) Standard position

