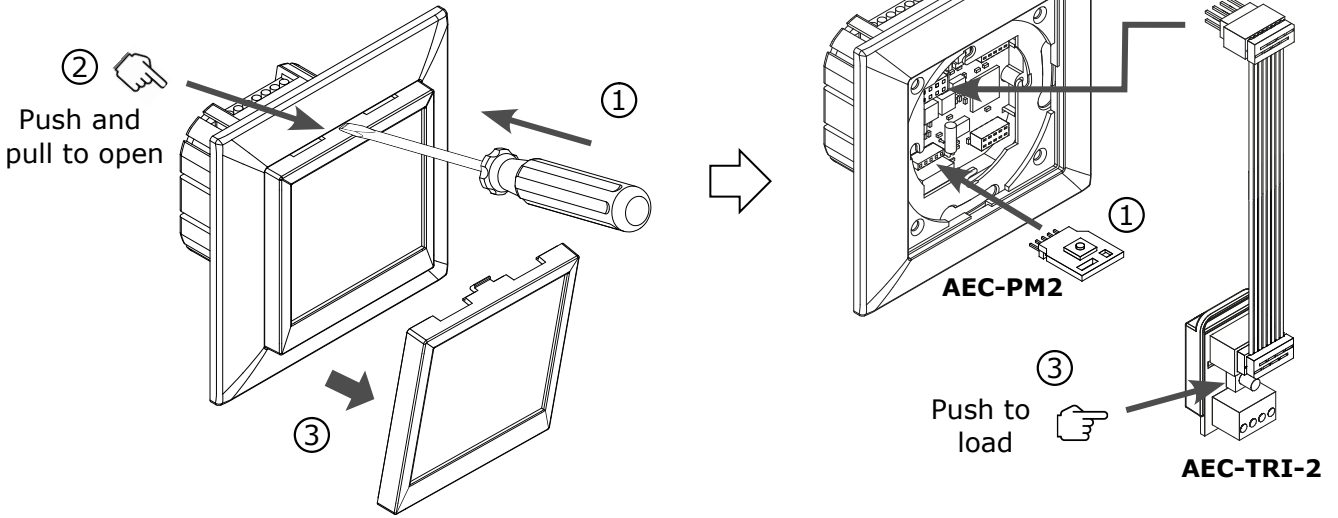
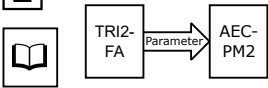
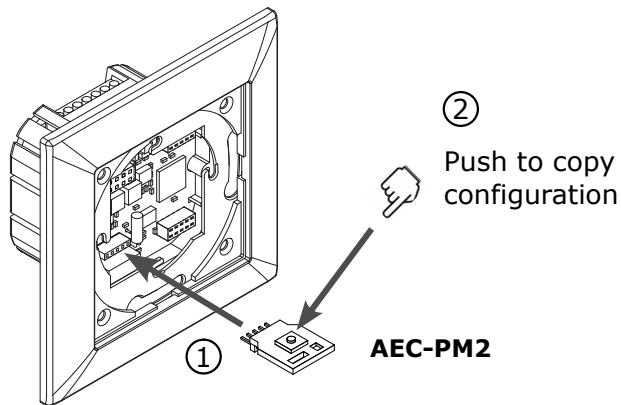


i Load Configuration to AEC-PM2



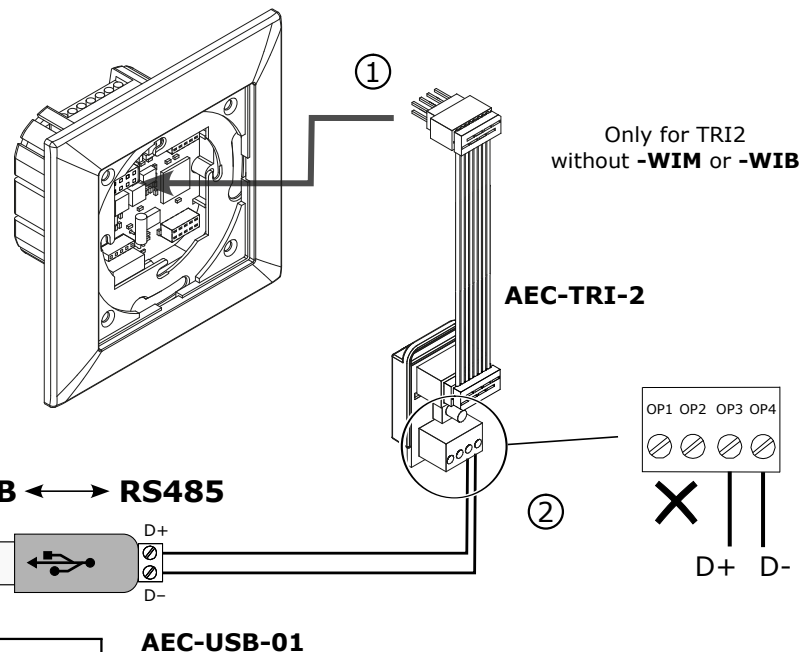
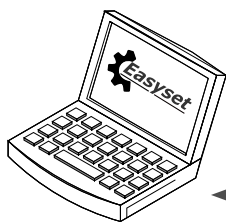
i Copy Configuration to TRI2



i Easyset

TRI2-FA ↔ Parameter ↔ Easy Set

For TRI2 with
-WIM or -WIB



www.vectorcontrols.com

